



**Valley Classic
Control Panel
Owner's Manual**

0997335_G

Valley Classic Control Panel

Valley Classic Control Panel

Table of Contents

EC Declaration of Conformity	5
Electrical Safety Statement	6
About This Manual	6
Ancillary Equipment Warranty	6
Safety	7
Recognize Safety Information	7
Safety Messages	7
Information Messages	7
Use Of Personal Protective Equipment	8
Conductive Materials And Equipment	8
Fall Protection.....	8
Minimum Working Clearance.....	9
Qualified Person	9
Overhead Power Lines	10
Minimal Lockout / Tagout Procedure.....	11
Sequence Of Lockout.....	11
Restoring Equipment To Service	11
Operate Safely.....	12
Safety Decals	16
Overview	21
Controls and Components.....	21
Main Disconnect Switch	22
Three Second Auto Restart.....	22
Start-Stop / Safety Override Switch.....	23
Safety Return Light.....	23
Forward / Reverse Switch.....	24
Without AR/AS Option.....	24
With AR/AS Option*	24
Wet / Dry Switch	25
Auto Reverse / Auto Stop Switch*	25
Stop-In-Slot (SIS) On / Off Switch	26
Engine Run / Start Switch	26
Auxiliary On / Off Switch (Option).....	26
Volt Meter	27
Percent Timer	28
Hour Meter.....	28
Circuit Breaker.....	28
Operation	29
Starting The Machine Wet (With Water)	29
Starting The Machine Dry (Without Water).....	30
Stopping The Machine.....	31
Emergency Stopping	31
Stopping Under Normal Conditions.....	31
Percent Timer	32
Testing the Percent Timer	33
Percent Timer Setting Calculations.....	34
Percent Timer Setting Calculation Worksheet	36
Appendix	39
Tire Pressure	39
Replacing Tires.....	39

Valley Classic Control Panel

Table of Contents

Valley Classic Control Panel

EC Declaration of Conformity



We: **Valmont Industries, Inc.**
28800 Ida Street
Valley, NE 68064
+1 402.359.6312
+1 402.359.6143 (Facsimile)

Serial Number:

Purchase Order:

declare under our sole responsibility that the product,

Crop Irrigation System

to which this documentation relates, is in conformity with the following documents:

Machinery Directive 2006/42/EC
Low Voltage Directive 2006/95/EC
Electromagnetic Compatibility Directive 2004/108/EC

The above-referenced equipment is in conformity with all safety-related clauses (Not all clauses reflecting commercial preference are met) of the following documents:

EN 60204-1:2006 Safety of Machinery – Electrical Equipment of Machines
EN 12100:2010 Safety of Machinery
EN 909:1998+A1 Irrigation Machines

Statement regarding **Pressure Equipment Directive 97/23/EC:**

The Crop Irrigation System is excluded from the scope of the Pressure Equipment Directive, by the language of Article 1, Sections 3.2, 3.6 & 3.10. This equipment is classified less than Category 1.

Statement regarding **RoHS Directive 2011/65/EC:**

The Crop Irrigation System is excluded from the scope of the RoHS Directive, by the language of Article 2, Section 4(e), being a "Large Scale Fixed Installation."

Person Authorized to Compile the Technical File in Europe:
Relevant information will be transmitted via e-mail
in response to a reasoned request by national authorities

Philipp Schmidt-Holzmann
Valmont S.A.U.
28840 Mejorada del Campo
Madrid, ES 28840
+34 91 679 4300

Ron Pollak
Senior Electrical Engineer
Valmont Industries, Inc.

Date of Issue: March 9, 2015
Place of Issue: Valley, NE 68064

Valley Classic Control Panel

Electrical Safety Statement

Installation Of The Valley Electric Irrigation Machine

Valmont Industries Inc. does not install a differential (ground fault) circuit breaker in the control panel of the Valley electric irrigation machine because the standards of protection vary according to country of destination. The distributor must provide and install a differential (ground fault) circuit breaker that meets the standards of the country where the Valley irrigation machine is installed.

In the European Union, differential circuit breaker protection is fixed at a maximum of 24 volts.

Good grounding of the Valley irrigation machine is required.

- If resistance to ground is lower than 80 ohms, a differential (ground fault) circuit breaker of 300 mA will meet requirements.
- If resistance to ground is between 80 and 800 ohms, a differential (ground fault) circuit breaker of 30 mA will meet requirements.

The power supply installation and inspection of equipment protection components or machines are the responsibility of the installer. Valmont Industries Inc. is not responsible for the failure of equipment protection components or machines not of their manufacture.

Valley pivot irrigation machines receiving power from a generator must have a cable connected from the irrigation machine structure to a ground rod and another cable from the irrigation machine structure to the ground terminal on generator in order for the differential (ground fault) circuit breaker to work.

- The resistance between the irrigation machine and the generator must be substantially below 80 ohms.

About This Manual

This manual only covers the operation of the Valley Classic Control Panel. Sections related to safety, pivot hardware, maintenance, towing, troubleshooting and winterization are covered in the appropriate Valley Pivot Owners Manual.

You, as the owner/operator, should familiarize yourself with the capabilities of the system in order to obtain optimum system performance. It should be remembered that the sprinkler will perform according to your knowledge of the equipment, soil and water relationships and equipment application concepts.

Specifications, descriptions and illustrative material contained herein were as accurate as known at the time this publication was approved for printing.

Valmont Industries Inc., reserves the right to change specification or design without incurring obligation. Specifications are applicable to machines sold in the United States and may vary outside the United States.

Ancillary Equipment Warranty

The owner is responsible for warranty registration of all ancillary equipment such as engines, pumps, and generators with its respective manufacturer.

Valley Classic Control Panel

Safety

Recognize Safety Information

This irrigation equipment may be powered by high voltage which can be extremely dangerous if used improperly. For maximum safety and optimum performance of the machine, all owner's operator's and maintenance personnel must read and understand the owner/operator manual(s), all safety messages in this manual and safety signs/decals on the machine before operating this equipment.

Anyone assembling, operating, servicing or maintaining this machine must read and understand all operation, maintenance, troubleshooting, testing, installation, assembly instructions and all safety messages in this manual before operating the machine or beginning any maintenance, troubleshooting, testing, installation or assembly of components.

These instructions alert you to certain things you should do carefully; if you don't, you could hurt yourself or others, hurt the next person who operates the equipment, or damage the equipment.

Safety Messages

Safety messages in this manual are preceded by the hazard symbol and one of three words, danger, warning or caution. These messages alert you to potential hazards that could hurt you or others and or cause property damage.



This HAZARD SYMBOL is used to alert you to information about unsafe actions or situations, and may be followed by the word danger, warning, or caution.



DANGER

The HAZARD SYMBOL used with the word DANGER, will describe immediate hazards that may result in severe personal injury or death.



WARNING

The HAZARD SYMBOL used with the word WARNING, will describe unsafe actions or situations that may cause severe injury, death and/or major equipment or property damage.



CAUTION

The HAZARD SYMBOL used with the word CAUTION, will describe unsafe actions or situations that may cause injury, and/or minor equipment or property damage.

Information Messages

Important information messages in this manual are preceded by the word NOTE.

NOTE

- The word NOTE is used to alert you to information that describes procedures or tips to help you install, operate or maintain your equipment properly.

Valley Classic Control Panel

Safety

Use Of Personal Protective Equipment

- People working in areas where there are potential electrical hazards must use, personal protective equipment that is appropriate for the specific parts of the body to be protected and for the work to be performed. Refer to U.S. Occupational Safety & Health Administration (OSHA) Regulations (Standards - 29 CFR) Safeguards for personnel protection. - 1910.335, or applicable national, state or local regulations, for additional information.
- Personal protective equipment must be maintained in a safe, reliable condition and periodically inspected or tested.
- Protective shields, protective barriers, or insulating materials must be used to protect each person from shock, burns, or other electrically related injuries while that person is working near exposed energized parts which might be accidentally contacted or where dangerous electric heating or arcing might occur. When normally enclosed live parts are exposed for maintenance or repair, they must be guarded to protect unqualified persons from contact with the live parts.
- Safety signs and tags. Safety signs, safety symbols, or accident prevention tags must be used where necessary to warn people about electrical hazards which may endanger them.

Conductive Materials And Equipment

Materials and equipment that may conduct electricity must be handled in a way that will prevent them from contacting energized power lines, exposed conductors or circuit parts.

- When handling long conductive objects (such as but not limited to truss rods, pipes, angles and ladders) in areas with energized power lines, exposed conductors or circuit parts, work practices (such as the use of insulation, guarding, and material handling techniques) must be used to minimize the hazard.
- Portable ladders must have non-conductive side rails.
- Do not wear conductive articles of jewelry and clothing (such as but not limited to watch bands, bracelets, rings, key chains, necklaces, metalized aprons, cloth with conductive thread, or metal headgear) that could come in contact with energized power lines, exposed conductors or circuit parts.

Fall Protection

Identify potential fall hazards and determine if fall protection equipment is appropriate for the task, before beginning the work. Pay attention to hazards associated with routine and non-routine tasks. Inspect fall protection equipment (harnesses, lanyards) and devices (guardrails, tie-off points) before each use. Use fall protection equipment if required for the job. Be sure the fall protection equipment is right for the task, fits properly, and is in good condition. Refer to U.S. Occupational Safety & Health Administration (OSHA) Regulations Standards - 29 CFR 1926.500, 1926.501 and 1926.502, or applicable national, state or local regulations for more information.

- When using scaffolds, make sure there is proper access, full planking, stable footing, and guard railing.
- When using a boom lift, keep feet firmly on the platform of a boom lift, use fall protection equipment tied-off at all times to the guardrail or tie-off point.
- When using a ladder, make sure the ladder is non-conductive and the correct size for the task. Read the ladder user instructions and be sure the ladder is in good condition. Make sure ladder is set on stable footing and at the correct angle.

Valley Classic Control Panel

Safety

Minimum Working Clearance

To reduce the risk of injury, all persons require adequate working clearance around the electrical panel or other electrical equipment. The table below identifies the minimum working clearance needed. Refer to U.S. Occupational Safety & Health Administration (OSHA) Regulations (Standards - 29 CFR) Safeguards for personnel protection. -1910.303(g)(1)(i), or any other applicable national, state or local regulations, for additional information.

MINIMUM WORKING CLEARANCE 0-600 VOLTS				
WIDTH OF WORKING CLEARANCE AREA	HEIGHT OF WORKING CLEARANCE AREA	★MINIMUM WORKING CLEARANCE IN FRONT OF ELECTRICAL PANEL/EQUIPMENT		
		EXPOSED LIVE PARTS ON ONE SIDE OF WORK SPACE AND NO LIVE GROUNDED PARTS ON THE OTHER SIDE.	EXPOSED LIVE PARTS ON ONE SIDE OF WORK SPACE AND LIVE GROUNDED PARTS ON THE OTHER SIDE.	EXPOSED LIVE PARTS ON ONE SIDE OF WORK SPACE AND EXPOSED LIVE PARTS ON THE OTHER SIDE.
30in(760mm) MINIMUM OR WIDTH OF ENCLOSURE, WHICH EVER IS GREATER	78in(1980mm) MINIMUM OR HEIGHT OF ENCLOSURE, WHICH EVER IS GREATER	36in(915mm) MINIMUM	42in(1065mm) MINIMUM	48in(1220mm) MINIMUM

★Concrete, brick or tile walls shall be considered as grounded.

Qualified Person

A Qualified person is one who, by possession of a recognized degree, certificate, or professional standing, or who by extensive knowledge, training, and experience, has successfully demonstrated his/her ability to solve or resolve problems related to the subject matter, the work, or the project.

Only qualified persons may work on electric circuit parts or equipment that have not been de-energized.

Refer to U.S. Occupational Safety & Health Administration (OSHA) Regulations Standards - 29 CFR 1926.32(m) and 1910.333, or applicable national, state or local regulations for additional information.

Valley Classic Control Panel

Safety

Overhead Power Lines

Assembling, towing or transporting irrigation machine components such as but not limited to the pivot point, linear cart, span/drive unit assemblies, overhangs and/or corner assemblies underneath or near power lines is extremely dangerous because of the risk of electrocution.

Operating equipment that elevates irrigation machine components, such as but not limited to an aerial lift or crane, near power lines is extremely dangerous because of the risk of electrocution. Only qualified personnel should operate this type of equipment. Before operating the equipment, qualified personnel must read the equipment manufacturers' operating and safety instructions.

Refer to U.S. Occupational Safety & Health Administration (OSHA) Regulations (Standards - 29 CFR) Cranes and derricks. - 1926.550, or any other applicable national, state or local regulations for additional information.

- Always presume that any overhead power line is an energized line unless and until the person(s) owning the line and/or the electrical utility authorities indicate that it is not an energized line and it has been visibly grounded.
- Before operating any equipment near any power line make sure the line has been de-energized and visibly grounded at the point of work.
- Electrocution can occur without touching an electrical power line. Electricity, depending on the magnitude, can jump or become induced into equipment or conductive materials that come in close proximity to, but do not touch a power line. High wind, lightning, wet ground and other environmental conditions will increase the possibility of electrocution and require additional consideration.
- Transmitter towers can induce the equipment or materials being handled with an electrical charge. Before working or operating equipment near transmitter towers make sure the transmitter is de-energized.
- Select the location where the span/drive unit will be assembled to ensure that neither the irrigation machine, or the equipment used during the assembly process, will violate the minimum clearance guidelines.
- Never operate equipment or allow the load, ropes or tag lines within 10 ft (3.05 m) of any power line rated 50 kV or lower whether it is energized or not. For lines rated over 50 kV, the minimum clearance shall be 10 ft (3.05 m) plus 0.4 in (1.1 cm) for each kV over 50 kVs.
- Never assemble, tow, transport or allow irrigation machine components underneath or within 10 ft (3.05 m) of any power line rated 50 kV or lower whether it is energized or not. For lines rated over 50 kV, the minimum clearance shall be 10 ft (3.05 m) plus 0.4 in (1.1 cm) for each kV over 50 kVs. Overhang support angles, cables and spinner drive components regularly extend 10 ft to 12 ft (3.1 m to 3.7 m) above the irrigation pipeline (span).
- Use barricades to identify areas where interference with overhead power lines could occur. Keep the assembly, towing or transporting of irrigation machine components and the operation of equipment including load, ropes or tag lines away from any power line, in the distances described above, whether the line is energized or not.
- Always designate a person to observe clearance between the power line and all equipment being operated or moved in order to give timely warning for all operations to STOP if the minimum clearance is violated.

Minimal Lockout / Tagout Procedure

The following procedure establishes the minimum requirements for the lockout of energy isolating devices whenever maintenance or servicing is done on machines or equipment. It is used to ensure that the machine or equipment is stopped, isolated from all potentially hazardous energy sources and locked out before personnel perform any servicing or maintenance where the unexpectedly energized or start-up of the machine or equipment or release of stored energy could cause injury. All personnel, upon observing a machine or piece of equipment which is locked out to perform servicing or maintenance shall not attempt to start, energize, or use that machine or equipment.

When the energy isolating devices are not lockable, tagout should be used and affected personnel must wear full personal protection.

Refer to U.S. Occupational Safety & Health Administration (OSHA) Regulations (Standards - 29 CFR) Typical minimal lockout procedures - 1910.147 App A, or applicable national, state or local regulations, for additional information.

Sequence Of Lockout

1. Notify all affected personnel that servicing or maintenance is required on a machine or equipment and that the machine or equipment must be shut down and locked out to perform the servicing or maintenance.
2. The authorized personnel shall identify the type and magnitude of the energy that the machine or equipment utilizes, shall understand the hazards of the energy, and shall know the methods to control the energy.
3. If the machine or equipment is operating, shut it down by the normal stopping procedure (depress the stop button, open switch, close valve, etc.).
4. Deactivate the energy isolating device(s) so that the machine or equipment is isolated from the energy source(s).
5. Lock out the energy isolating device(s) with assigned individual lock(s).
6. Stored or residual energy (such as that in capacitors, springs, elevated machine members, rotating flywheels, hydraulic systems, and air, gas, steam, or water pressure, etc.) must be dissipated or restrained by methods such as grounding, repositioning, blocking, bleeding down, etc.
7. Ensure that the equipment is disconnected from the energy source(s) by first checking that no personnel are exposed, then verify the isolation of the equipment by operating the push button or other normal operating control(s) or by testing to make certain the equipment will not operate. CAUTION: Return operating control(s) to neutral or "off" position after verifying the isolation of the equipment.
8. The machine or equipment is now locked out.

DANGER

•WHEN PERSONNEL WILL BE EXPOSED TO CIRCUIT ELEMENTS AND ELECTRICAL PARTS, A QUALIFIED PERSON MUST USE TEST EQUIPMENT TO VERIFY THAT THE CIRCUIT ELEMENTS AND EQUIPMENT PARTS OF THE EQUIPMENT ARE DE-ENERGIZED.

Restoring Equipment To Service

When the servicing or maintenance is completed and the machine or equipment is ready to return to normal operating condition, the following steps shall be taken.

1. Check the machine or equipment and the immediate area around the machine to ensure that nonessential items have been removed and that the machine or equipment components are operationally intact.
2. Check the work area to ensure that all personnel have been safely positioned or removed from the area.
3. Verify that the controls are in neutral.
4. Remove the lockout devices and reenergize the machine or equipment.
5. Notify affected personnel that the servicing or maintenance is completed and the machine or equipment is ready to be used.

Valley Classic Control Panel

Safety

Operate Safely

Valley Irrigation Machines are designed with safety in mind. However, if this machine is operated incorrectly, it may pose a safety threat to the operator. A good safety program is much like a chain, it is only as strong as its weakest link. The manufacturer, dealer, and operator must maintain and improve all safety programs. Following is a list of safety operating tips which you and all other persons servicing or operating the machine must read and understand.

CAUTION

- **DO NOT OPERATE THIS MACHINE WITHOUT FIRST READING THE OWNER'S MANUALS FOR THE MACHINE.**
- **READ ALL SAFETY MESSAGES IN THIS MANUAL AND SAFETY SIGNS ON THE MACHINE.**
- **DO NOT LET ANYONE OPERATE THIS MACHINE WITHOUT PROPER INSTRUCTIONS.**
- **UNAUTHORIZED MODIFICATIONS MAY IMPAIR THE FUNCTION AND/OR SAFETY OF THE MACHINE.**
- **IF YOU DO NOT UNDERSTAND ANY PART OF THIS MANUAL, CONTACT YOUR VALLEY DEALER.**

EMPLOYEE INSTRUCTION ON SAFETY

It is very important to instruct your employees on the safe use of this equipment at the time of their initial assignment to operate it. DO NOT let anyone operate this equipment without proper instructions.

Safety training should be presented annually and the service manager should ensure employees fully understand the safety messages and what to do in case of emergencies.

EMERGENCY STOPPING

The machine can be stopped at any time at any tower by turning the disconnect switch, located underneath the tower box, to the OFF position. See Figure 12-1.



Figure 12-1 1. Disconnect Switch

WARNING

PROPER GROUNDING

DO NOT attempt to start the machine until the electrical service is properly installed and grounded by a qualified electrician as per the electrical standards. See Figure 12-2.

If the power supplied to the machine is not grounded properly, severe injury or death can result should an electrical malfunction occur.

It is your responsibility to ensure that your power supplier and/or electrical contractor has grounded the irrigation machine as required by the National Electrical Code and by applicable local electrical codes. If a machine is properly grounded and fuse sizing is correct, there is extremely low probability of an individual being injured by electrical shock.

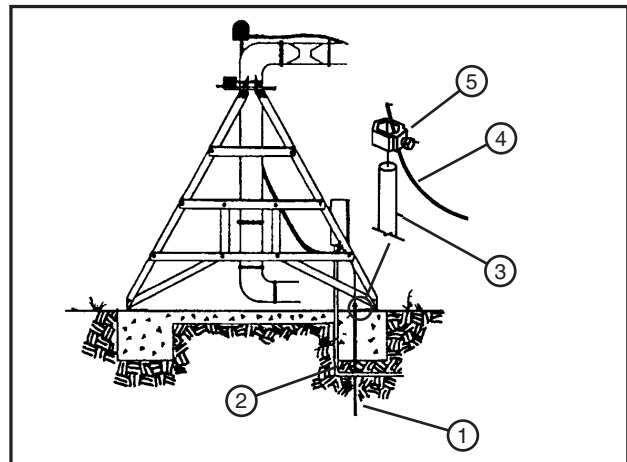


Figure 12-2 1. Ground Rod Installation 4. Copper Ground Wire
2. Service Conductor 5. Clamp
3. Copper Ground Rod

NOTE

- **All 480 VAC, 60 Hz. (380 VAC, 50 Hz.) power supply services MUST be a 4 conductor service. Three 480 VAC (380 VAC) power lines and one ground conductor which is as large as the power carrying conductors for that service.**
- **Each time a towable machine is moved, the ground wire MUST be reattached to the ground rod and checked for electrical integrity before restarting the machine.**

Valley Classic Control Panel

Safety

Operate Safely (Continued)

DANGER

DISCONNECT POWER WHEN SERVICING
ALWAYS disconnect electrical power before servicing or performing maintenance to the machine.
If you are going to perform maintenance on the machine, YOU MUST shut off and lock the main power disconnect as shown below. See Figure 13-1.

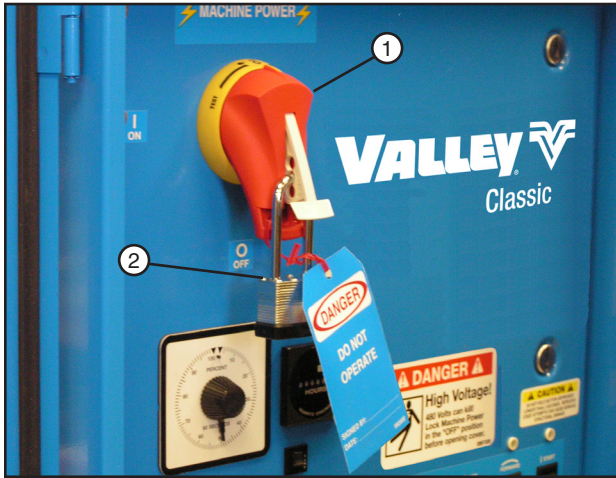


Figure 13-1 1. Main Power Disconnect
2. Lock

The blue (OSHA safety color code) tag shown below should also be filled out and attached to the disconnect after locking. See Figure 13-2.

The tag should reveal the name of a person to contact before restoring power to the machine.



Figure 13-2 1. Lock Out Tags

CAUTION

QUALIFIED SERVICE PERSONNEL
If you do not understand electricity or other parts of the machine, have qualified service personnel perform any hazardous repairs or maintenance.

CAUTION

GUARD ALL POWER TAKE-OFF DRIVES
This includes all belt and power line drives.
Replace any guards and shields removed for maintenance.

WARNING

MARK AND GUARD ALL POWER LINES
Do NOT deep rip or chisel near the buried power service wires.
Do NOT deep rip in a circle at the drive unit. The deep chisel track will cause severe stresses on the structure.

If you do deep rip your field, run the machine with the percent timer at 100% for the first revolution.

WARNING

SUSPECTED SHORT CIRCUITS
DO NOT touch the machine if you suspect a short-circuit situation. Call a qualified electrician or an authorized Valley dealer immediately.

Circumstances which may cause you to suspect hazardous voltage situations may include:

- Physical damage to the machine or span cable
- Recent electrical storms (lightning)
- Unusual operating characteristics of the machine

If you suspect a short circuit due to feeling a rippling tingle when touching the machine, DO NOT touch the machine again. Call a qualified electrician or an authorized Valley dealer immediately.

Valley Classic Control Panel

Safety

Operate Safely (Continued)

WARNING

LIGHTNING AND THE MACHINE

Stay away from the machine during an electrical storm. An irrigation machine makes a good path to earth. It is also probably the tallest object in the field, which makes it a good lightning receptor!

CAUTION

DO NOT OVERSIZE FUSES

Fuses are sized for the protection of a specific machine.

Be certain you have the proper fuse sizes in place before initial start-up and when replacing fuses.

CAUTION

PLUG - IN CONNECTORS

Disconnect power before connecting or disconnecting any plug-in connectors.

CAUTION

DO NOT OPERATE AT FREEZING TEMPERATURES

Spraying water has a cooling effect and water will freeze even though the air temperature is slightly above freezing.

Shut the machine down at 40 degrees Fahrenheit (4.5 degrees Celsius). Do not operate machine when temperature is below 40° F (4.5° C).

- **DAMAGE TO EQUIPMENT RESULTING FROM FREEZE-UP IS NOT COVERED UNDER WARRANTY.**
- **IT IS IMPORTANT TO MAKE SURE ALL PIPE DRAINS FUNCTION PROPERLY TO PREVENT PIPELINE FREEZE-UP DURING COLD WEATHER.**

CAUTION

AVOID HIGH PRESSURE WATER STREAMS

Avoid body contact with high pressure water streams.

WARNING

AVOID CHEMICALS

Avoid exposure to sprinkler spray while chemicals are being injected into the water. Read EPA Label Improvement Program (PR Notice 87-1) and all instructions for chemical applications.

If you plan on chemigating, make certain you have complied with state or local regulations in regard to safety equipment, certification, operation and calibration of the injector pump. Make certain you have first aid and fresh water available in case of an accident. You must also be familiar with the correct cleanup procedures in case of a spill.

- **USE OF PROTECTIVE CLOTHING IS RECOMMENDED WHEN HANDLING CHEMICALS. SAFETY GLASSES, GLOVES AND PROTECTIVE OUTERWEAR SHOULD BE WORN WHEN HANDLING CHEMICALS.**
- **CONTAMINATION OF THE WATER SUPPLY MAY OCCUR IF EFFECTIVE SAFETY DEVICES ARE NOT INSTALLED/USED IN CONNECTION WITH INJECTION EQUIPMENT FOR CHEMIGATION.**

DANGER

DRIVE SHAFTS START WITHOUT WARNING

An electric motor on each tower of the center pivot powers two drive shafts connected to wheel gear drives. These drive shafts start and stop without warning.

- **DO NOT TOUCH ROTATING DRIVE SHAFT OR SHIELD, CLOTHING OR LIMBS MAY BECOME ENTANGLED, RESULTING IN SEVERE INJURY.**
- **DO NOT SERVICE THE MACHINE UNTIL THE MAIN DISCONNECT IS LOCKED IN THE OFF POSITION.**
- **ALWAYS REPLACE DRIVE SHAFT SHIELDS AFTER SERVICING,**
- **DRIVE SHAFT SHIELDS MUST ALWAYS BE IN PLACE WHEN OPERATING THE MACHINE.**

Valley Classic Control Panel

Safety

Operate Safely (Continued)

CAUTION

CHECK WHEEL TRACKS BEFORE STARTING

Make sure all objects, livestock or persons are clear of the machine before starting. Drive trains are powerful and can climb over vehicles, equipment, etc.

CAUTION

KEEP CHILDREN AWAY

Pivots are NOT playground equipment.

Prevent children from playing or climbing around on the machine. This can be extremely dangerous, especially if the machine is operating.

CAUTION

CHECK MACHINE DIRECTION

DO NOT operate the machine if it moves in the direction opposite to that which was chosen.

Forward should be clockwise and reverse counter-clockwise.

CAUTION

KEEP WATER OFF ROADWAYS

It is against the law in most states to allow water to spray on state and county roadways. This is a serious hazard to passing motorists.

If end guns are used, make sure you read and understand the correct procedures for setting the on and off positions to avoid watering the roadways.

If an end gun is watering a roadway, immediately discontinue use and adjust the shutoff setting or call your Valley dealer to repair the end gun shutoff mechanism.

CAUTION

PART CIRCLE OPERATION SAFETY

If the machine reverses direction at a roadway or a physical object such as a building, tree line, power pole etc., then you MUST provide a backup device to stop the machine if the reversing mechanism were to fail. See Figure 15-1.

Contact your Valley dealer for more information concerning physical barricades for machines under these circumstances.



Figure 15-1 1. Physical Barricade

CAUTION

PROPER USE OF THE SAFETY OVERRIDE

Caution MUST be taken by the operator when using the safety override function as it will by-pass or disable all of the machine's automatic safety shutdown circuits.

NEVER depress and hold the START/STOP SAFETY OVERRIDE switch in the START position for more than 3 to 5 seconds.

If the machine is not in full view by the operator, do not use the Safety Override function.

The operator MUST inspect the entire machine between each safety override start attempt.

Repeated safety override start attempts can cause severe structural damage.

Call your Valley dealer if the machine fails to start.

Valley Classic Control Panel

Safety

Safety Decals

These Danger, Warning and Caution decals appear in various locations on a Valley irrigation machine. You MUST familiarize yourself and other operator's with these safety decals. For replacement of any decal, contact your local Valley dealer.

LOCATED ON INSIDE OF OUTER DOOR

CAUTION

Do not operate system when temperature is below 40° F (4.5° C)

Read and understand the valley operator manual before operating this equipment.

0997300

0997300



DANGER PELIGRO

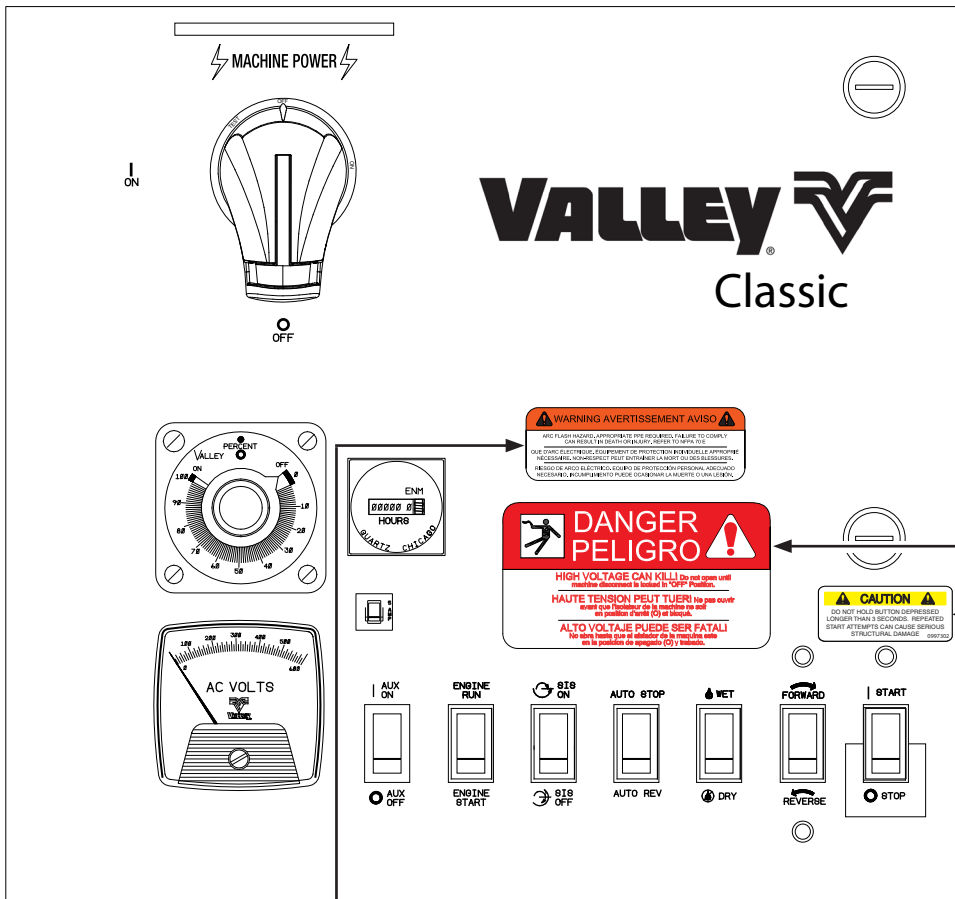


HIGH VOLTAGE CAN KILL! Do not open until machine disconnect is locked in "OFF" position.

HAUTE TENSION PEUT TUER! Ne pas ouvrir avant que l'isolateur de la machine ne soit en position d'arrêt (O) et bloqué.

ALTO VOLTAJE PUEDE SER FATAL! No abra hasta que el aislador de la maquina este en la posición de apagado (O) y trabado.

0997326



WARNING AVERTISSEMENT AVISO

ARC FLASH HAZARD, APPROPRIATE PPE REQUIRED, FAILURE TO COMPLY CAN RESULT IN DEATH OR INJURY. REFER TO NFPA 70 E
 RISQUE D'ARC ÉLECTRIQUE, ÉQUIPEMENT DE PROTECTION INDIVIDUELLE APPROPRIÉ NÉCESSAIRE, NON-RESPECT PEUT ENTRAÎNER LA MORT OU DES BLESSURES.
 RIESGO DE ARCO ELÉCTRICO, EQUIPO DE PROTECCIÓN PERSONAL ADECUADO NECESARIO, INCUMPLIMIENTO PUEDE OCASIONAR LA MUERTE O UNA LESIÓN.

0999135

CAUTION

DO NOT HOLD BUTTON DEPRESSED LONGER THAN 3 SECONDS. REPEATED START ATTEMPTS CAN CAUSE SERIOUS STRUCTURAL DAMAGE

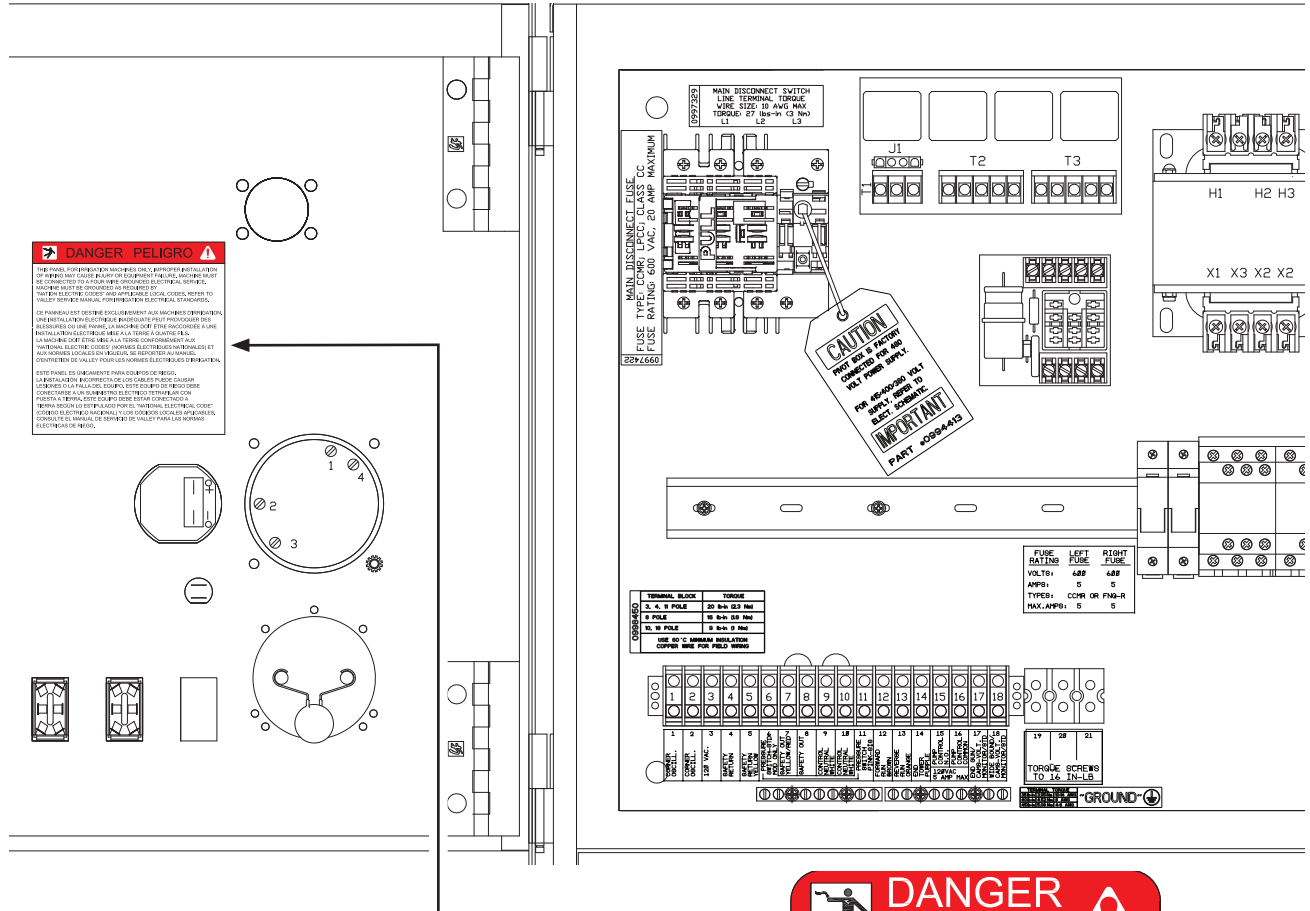
0997302

0997302

Valley Classic Control Panel

Safety

Safety Decals (Continued)



⚠ DANGER PELIGRO ⚠

ESTE PANEL ES ÚNICAMENTE PARA EQUIPOS DE RIEGO. LA INSTALACIÓN INCORRECTA DE LOS CABLES PUEDE CAUSAR LESIONES O LA FALLA DEL EQUIPO. ESTE EQUIPO DE RIEGO DEBE CONECTARSE A UN SUMINISTRO ELÉCTRICO TETRAFILAR CON PUESTA A TIERRA. ESTE EQUIPO DEBE ESTAR CONECTADO A TIERRA SEGÚN LO ESTIPULADO POR EL "NATIONAL ELECTRICAL CODE" (CÓDIGO ELÉCTRICO NACIONAL) Y LOS CÓDIGOS LOCALES APLICABLES. CONSULTE EL MANUAL DE SERVICIO DE VALLEY PARA LAS NORMAS ELÉCTRICAS DE RIEGO.

⚠ DANGER PELIGRO ⚠

THIS PANEL FOR IRRIGATION MACHINES ONLY. IMPROPER INSTALLATION OF WIRING MAY CAUSE INJURY OR EQUIPMENT FAILURE. MACHINE MUST BE CONNECTED TO A FOUR WIRE GROUND ELECTRICAL SERVICE. MACHINE MUST BE GROUND AS REQUIRED BY "NATION ELECTRIC CODES" AND APPLICABLE LOCAL CODES. REFER TO VALLEY SERVICE MANUAL FOR IRRIGATION ELECTRICAL STANDARDS.

CE PANNEAU EST DESTINÉ EXCLUSIVEMENT AUX MACHINES D'IRRIGATION. UNE INSTALLATION ÉLECTRIQUE INADÉQUATE PEUT PROVOQUER DES BLESSURES OU UNE PANNE. LA MACHINE DOIT ÊTRE RACCORDÉE À UNE INSTALLATION ÉLECTRIQUE MISE À LA TERRE À QUATRE FILS. LA MACHINE DOIT ÊTRE MISE À LA TERRE CONFORMÉMENT AUX "NATIONAL ELECTRIC CODES" (NORMES ÉLECTRIQUES NATIONALES) ET AUX NORMES LOCALES EN VIGUEUR. SE REPORTER AU MANUEL D'ENTRETIEN DE VALLEY POUR LES NORMES ÉLECTRIQUES D'IRRIGATION.

ESTE PANEL ES ÚNICAMENTE PARA EQUIPOS DE RIEGO. LA INSTALACIÓN INCORRECTA DE LOS CABLES PUEDE CAUSAR LESIONES O LA FALLA DEL EQUIPO. ESTE EQUIPO DE RIEGO DEBE CONECTARSE A UN SUMINISTRO ELÉCTRICO TETRAFILAR CON PUESTA A TIERRA. ESTE EQUIPO DEBE ESTAR CONECTADO A TIERRA SEGÚN LO ESTIPULADO POR EL "NATIONAL ELECTRICAL CODE" (CÓDIGO ELÉCTRICO NACIONAL) Y LOS CÓDIGOS LOCALES APLICABLES. CONSULTE EL MANUAL DE SERVICIO DE VALLEY PARA LAS NORMAS ELÉCTRICAS DE RIEGO.

⚠ DANGER PELIGRO ⚠

HIGH VOLTAGE CAN KILL! DO NOT OPEN UNTIL MACHINE DISCONNECT IS LOCKED IN "OFF" POSITION.

HAUTE TENSION PEUT TUER! NE PAS OUVRIR AVANT QUE L'ISOLATEUR DE LA MACHINE NE SOIT EN POSITION D'ARRÊT (O) ET BLOQUÉ.

ALTO VOLTAJE PUEDE SER FATAL! NO ABRA HASTA QUE EL AISLADOR DE LA MAQUINA ESTE EN LA POSICIÓN DE APAGADO (O) Y TRABADO.

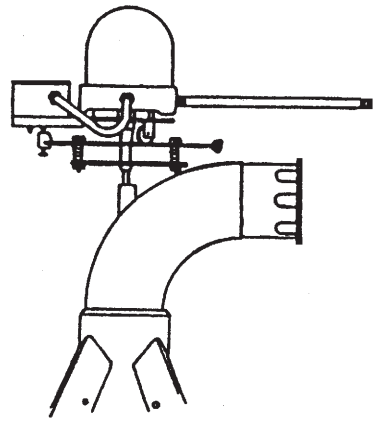
⚠ WARNING AVERTISSEMENT AVISO ⚠

ARC FLASH HAZARD, APPROPRIATE PPE REQUIRED. FAILURE TO COMPLY CAN RESULT IN DEATH OR INJURY. REFER TO NFPA 70 E

RISQUE D'ARC ÉLECTRIQUE, ÉQUIPEMENT DE PROTECTION INDIVIDUELLE APPROPRIÉ NECESSAIRE. NON-RESPECT PEUT ENTRAINER LA MORT OU DES BLESSURES.

RIESGO DE ARCO ELÉCTRICO. EQUIPO DE PROTECCIÓN PERSONAL ADECUADO NECESARIO. INCUMPLIMIENTO PUEDE OCASIONAR LA MUERTE O UNA LESIÓN.

099122

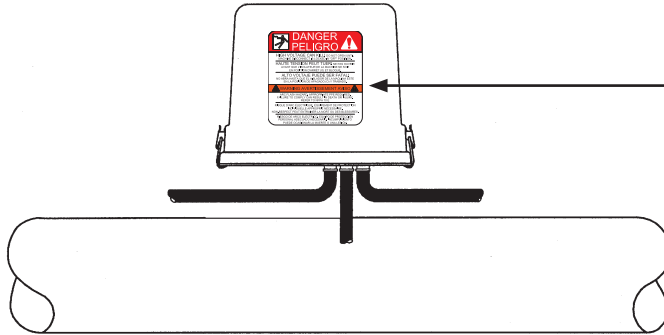


099120

Valley Classic Control Panel

Safety

Safety Decals (Continued)



DANGER
PELIGRO

HIGH VOLTAGE CAN KILL! DO NOT OPEN UNTIL MACHINE DISCONNECT IS LOCKED IN "OFF" POSITION.

HAUTE TENSION PEUT TUER! NE PAS OUVRIR AVANT QUE L'ISOLATEUR DE LA MACHINE NE SOIT EN POSITION D'ARRÊT (O) ET BLOQUÉ.

ALTO VOLTAJE PUEDE SER FATAL! NO ABRA HASTA QUE EL AISLADOR DE LA MAQUINA ESTE EN LA POSICIÓN DE APAGADO (O) Y TRABADO.

WARNING
AVERTISSEMENT
AVISO

ARC FLASH HAZARD. APPROPRIATE PPE REQUIRED. FAILURE TO COMPLY CAN RESULT IN DEATH OR INJURY. REFER TO NFPA 70 E

RISQUE D'ARC ÉLECTRIQUE. ÉQUIPEMENT DE PROTECTION INDIVIDUELLE APPROPRIÉ NÉCESSAIRE. NON-RESPECT PEUT ENTRAÎNER LA MORT OU DES BLESSURES.

RIESGO DE ARCO ELÉCTRICO. EQUIPO DE PROTECCIÓN PERSONAL ADECUADO NECESARIO. INCUMPLIMIENTO PUEDE OCASIONAR LA MUERTE O UNA LESIÓN.

0999122

WARNING

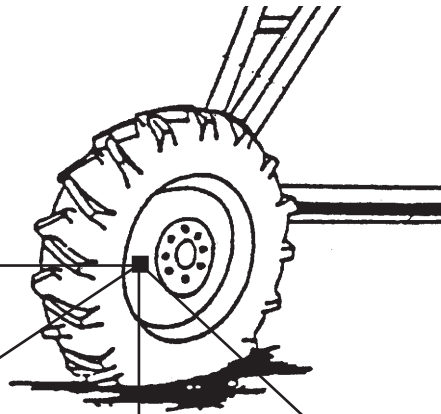
TIRE AND RIM FOR IRRIGATION USE ONLY.

ADJUST PRESSURE BEFORE USE. SEE OWNERS MANUAL FOR RECOMMENDED PRESSURE.

18 PSI [1.2 BAR] MAXIMUM

VALLEY

0991532



WARNING

TIRE AND RIM FOR IRRIGATION USE ONLY.

ADJUST PRESSURE BEFORE USE. SEE OWNERS MANUAL FOR RECOMMENDED PRESSURE.

23 PSI [1.6 BAR] MAXIMUM

VALLEY

0991593

WARNING

TIRE AND RIM FOR IRRIGATION USE ONLY.

ADJUST PRESSURE BEFORE USE. SEE OWNERS MANUAL FOR RECOMMENDED PRESSURE.

30 PSI [2.1 BAR] MAXIMUM

VALLEY

0991366

WARNING

TIRE AND RIM FOR IRRIGATION USE ONLY.

ADJUST PRESSURE BEFORE USE. SEE OWNERS MANUAL FOR RECOMMENDED PRESSURE.

34 PSI [2.3 BAR] MAXIMUM

VALLEY

0996109

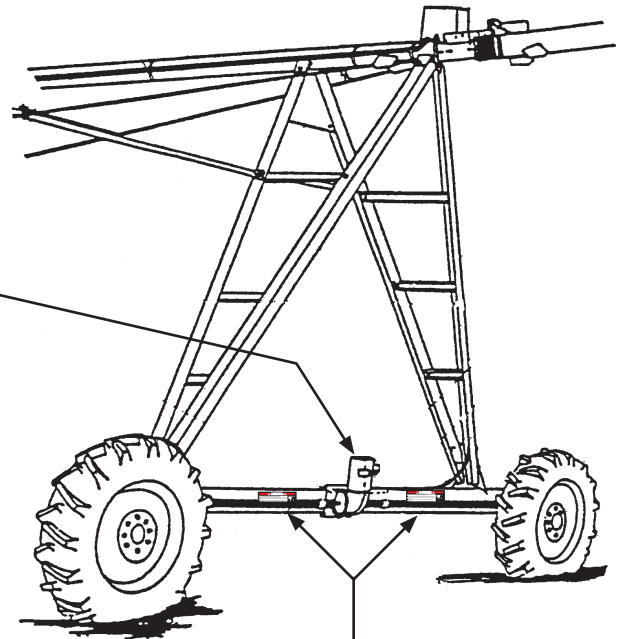
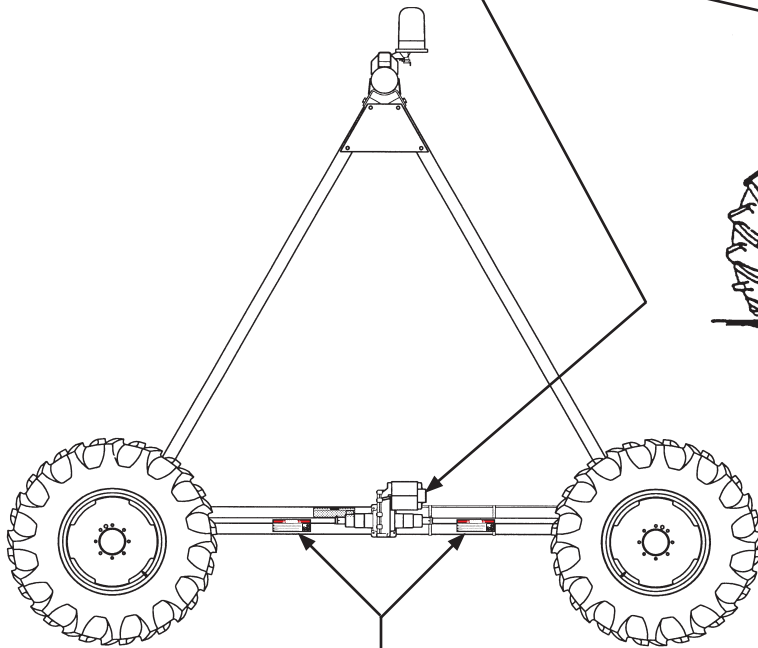
Valley Classic Control Panel




Safety

Safety Decals (Continued)

 WARNING	
Improper installation of this motor may result in fire, explosion, electrical shock or other personal injuries. Read operating instructions	
	Disconnect power before maintenance. Open all circuits before removing conduit box cover. Be sure motor is properly grounded per local and national codes.
	Do not place fingers or objects near openings.
	Do not use eye bolts or lifting hooks to lift anything except the product.

NOT OFFERED



 DANGER 	
Drive Shaft Starts Without Warning!	
<ul style="list-style-type: none">Do not touch rotating drive shaft or shield. Clothing or limbs may become entangled, resulting in severe injury.Do not service until machine is locked in the off position.Always replace drive shaft shield after servicing.	
	

0994146

Valley Classic Control Panel

Safety

Valley Classic Control Panel

Overview

Controls and Components

The inside door of the Classic control panel is shown below in Figure 21-1.

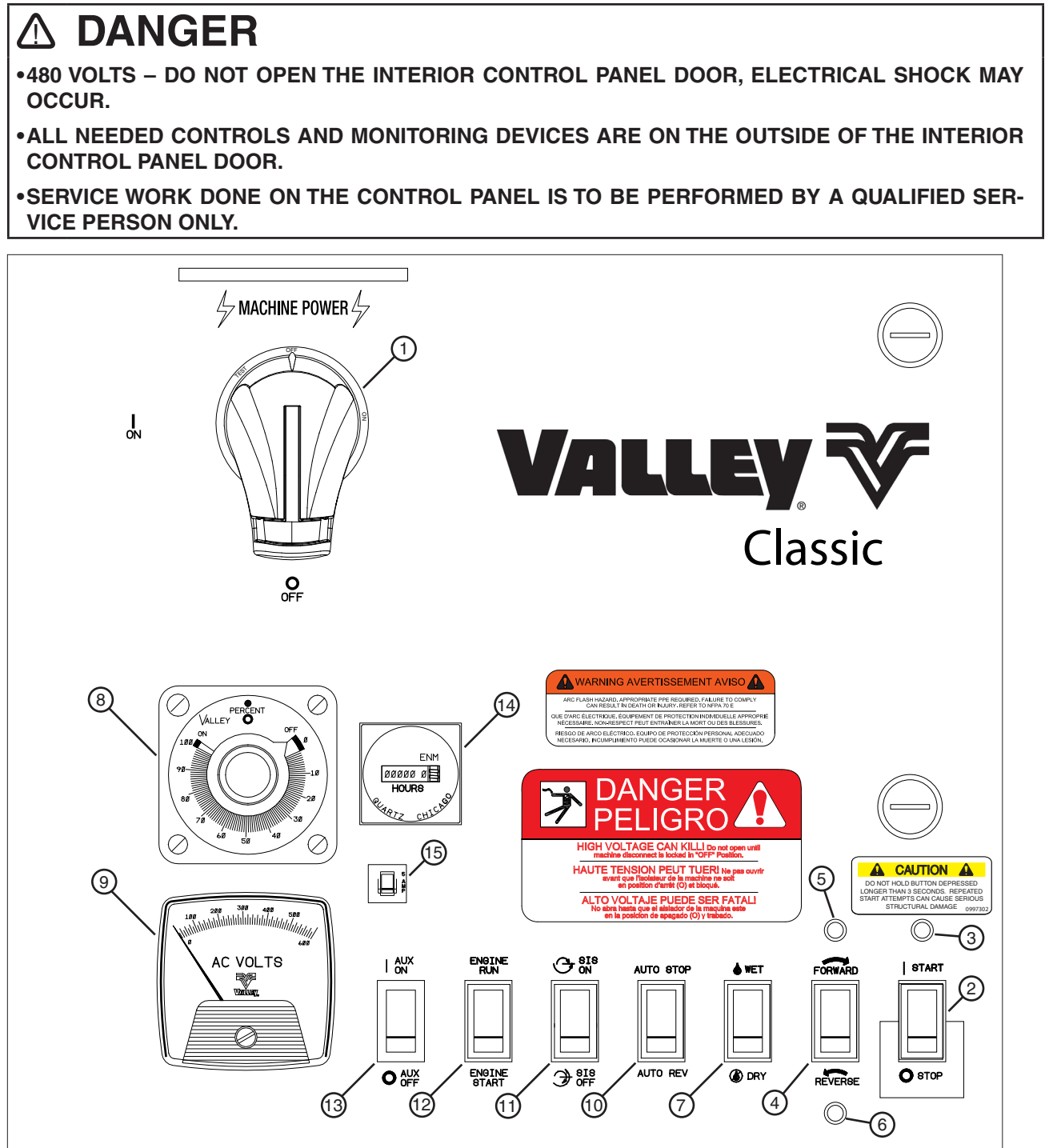


Figure 21-1

1. Main Disconnect Switch	6. Reverse Light*	11. Stop-In-Slot Switch
2. Start / Stop / Safety Override Switch	7. Wet / Dry Switch	12. Engine Run / Start Switch
3. Safety Return Light	8. Percentage Timer	13. Auxiliary On / Off Switch**
4. Forward / Reverse Switch	9. Voltage Meter	14. Hour Meter
5. Forward Light*	10. Auto Reverse / Auto Stop Switch*	15. Circuit Breaker

* Only available on control panels equipped with Auto Reverse/Auto Stop.

** Switch included with optional Auxiliary Contactor.

Valley Classic Control Panel

Overview

Main Disconnect Switch

The main disconnect switch controls power to the machine and has three positions, ON , OFF and Test. See Figure 22-1.

In the ON position, the control panel is on and power is provided to the machine.

In the OFF position, the control panel is off and power is disconnected from the machine. However, incoming voltage to the control panel still exists on the upper terminals of the main disconnect switch inside the control panel.

The Test position is for use by service personnel only.



WARNING

- ALWAYS TURN THE MAIN DISCONNECT SWITCH OFF, LOCK IT IN THE OFF POSITION AND TAG IT WHEN DOING ANY MAINTENANCE OR REPAIRS AND WHEN THE MACHINE IS NOT IN USE.

Three Second Auto Restart

A three second auto restart function is built into the circuitry of the control panel.

In the event of a momentary power loss or voltage drop while the machine is running, the machine will automatically restart if power is returned within three seconds.

When the control panel also controls an irrigation pump that is set to automatically start, the irrigation pump must be protected with a pump restart delay.



CAUTION

- TO REDUCE THE POSSIBILITY OF DAMAGE TO AN AUTOMATICALLY CONTROLLED ELECTRIC PUMP DUE TO A MOMENTARY POWER LOSS OF 3 SECONDS OR LESS, A PUMP RESTART DELAY IS REQUIRED IN THE PUMP CIRCUIT BETWEEN THE PIVOT CONTROL PANEL AND THE PUMP.

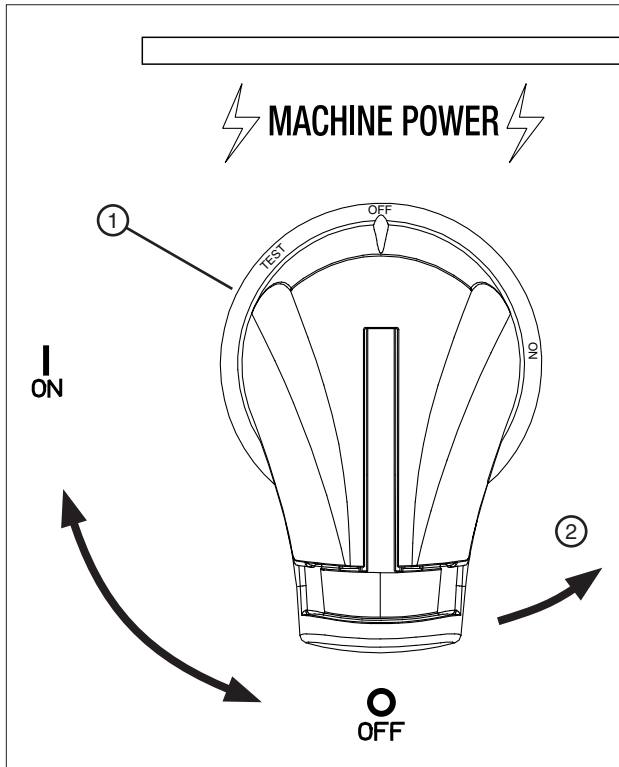


Figure 22-1 1. Main Disconnect Switch
2. Test

Valley Classic Control Panel

Overview

Start-Stop / Safety Override Switch

The control panel is equipped with a combination Start-Stop Safety Override rocker switch. See Figure 23-1.

To start the machine, press and hold the switch in the START position for approximately three seconds and then released at which time the switch will return to the center neutral RUN position. See Figure 23-1.

If the machine safety circuit is complete, the safety return light will remain lit and the machine will continue to run. See Figure 23-1.

To stop the machine, move the rocker switch to the STOP position. See Figure 23-1.

If the machine safety circuit is broken (open) due to span misalignment, it will be necessary to override the safety circuit momentarily to realign the machine. However, the machine must be in full view of the operator, if the machine is not in full view of the operator, DO NOT override the safety circuit.

When the Start-Stop switch is held in the START position, the machine safety circuit is bypassed and the machine will run until the switch is released. The switch should never be held in the START position for more than three seconds at any one time.

To override the machine safety circuit, press and hold the switch in the START position for no more than three seconds at any one time. See Figure 23-1.

Inspect the entire machine after each safety override attempt.

⚠ WARNING

- REPEATED SAFETY OVERRIDE ATTEMPTS CAN CAUSE SEVERE STRUCTURAL DAMAGE. CALL YOUR LOCAL VALLEY DEALER SHOULD THE MACHINE FAIL TO START.

Safety Return Light

The small light above the Start-Stop rocker switch is the Safety Return Light. See Figure 23-1.

When lit, it indicates that there is power going out to the end of the machine and coming back to the control panel on the safety circuit.

This indicator lamp will also light when the Start-Stop rocker switch is pressed to the start position.

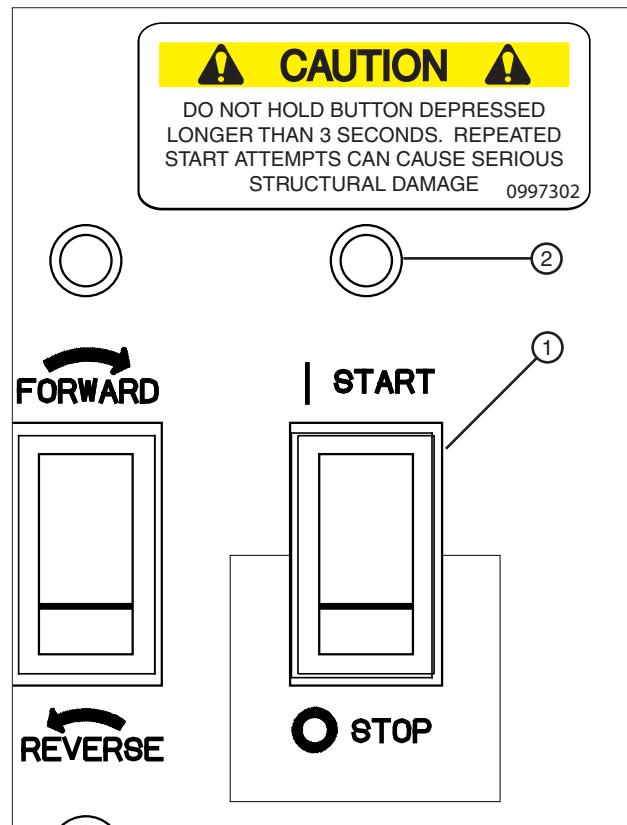


Figure 23-1 1. Start - Stop - Safety Override Switch
2. Safety Return Light

Valley Classic Control Panel

Overview

Forward / Reverse Switch

The forward / reverse switch controls the direction of machine movement, assuming all safety circuits are complete.

Without AR/AS Option

If the control panel is NOT equipped with Auto Reverse /Auto Stop, the forward / reverse switch will have two positions, forward or reverse.

The forward and reverse lights are NOT available without the AR/AS option. See Figure 24-1.

The direction of travel can be changed while the machine is moving or selected before start-up.

- In the Forward position, the machine will run in forward or clockwise around the field when started. See Figure 24-1.
- In the Reverse position, the machine will run in reverse or counter clockwise around the field when started. See Figure 24-1.

With AR/AS Option*

If the control panel IS equipped with Auto Reverse/ Auto Stop, the forward / reverse switch is spring loaded to return to the neutral position when released from either the forward or reverse positions.

The forward and reverse lights are included with the AR/AS option to indicate which direction the machine is moving. See Figure 24-1.

The direction of travel can only be selected or changed when the Start-Stop switch in the RUN position.

- When the switch is depressed into the forward position, the forward direction is selected, the forward light is lit and the machine will run in forward or clockwise around the field. See Figure 24-1.
- When the switch is depressed into the reverse position, the reverse direction is selected, the reverse light is lit and the machine will run in reverse or counter clockwise around the field. See Figure 24-1.

* Only available on control panels equipped with Auto Reverse/ Auto Stop.

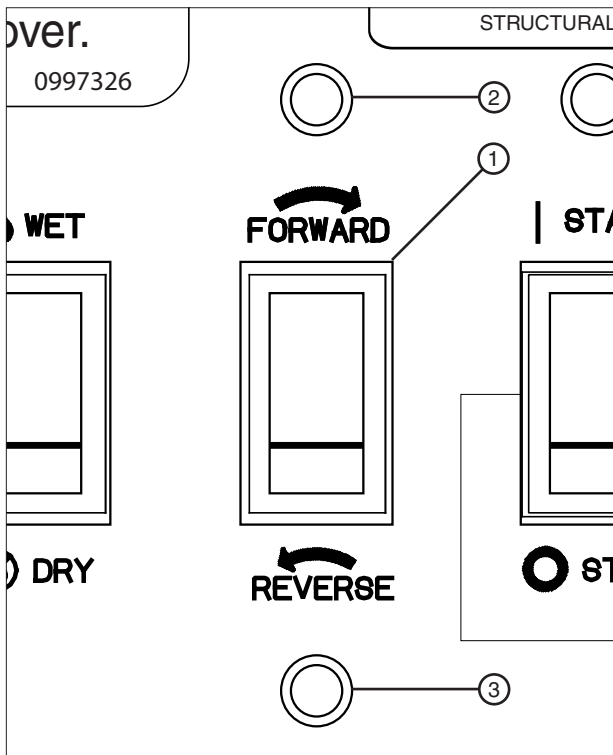


Figure 24-1 1. Forward / Reverse Switch
2. Forward Indicator Light
3. Reverse Indicator Light

NOTE

•When the control panel is equipped with the Auto Reverse/Auto Stop option:

- » If the machine stops running for some reason, the forward or reverse lights will indicate which direction the machine was last running.
- » If the machine is powered by an engine generator that has stopped, when the power is restored to the control panel the forward or reverse lights will indicate which direction the machine was last running.

Valley Classic Control Panel

Overview

Wet / Dry Switch

The Wet / Dry switch works in combination with the optional low pressure switch and has two positions, wet and dry. See Figure 25-1.

In the Wet position, the optional low pressure switch becomes part of the safety circuit.

- When the water pressure at the low pressure switch reaches the set psi, the low pressure switch will close which completes the safety circuit and allows the machine to run.
- If the water pressure drops below the set psi while the machine is running, the machine will shut down due to low pressure.

In the Dry position, the optional low pressure switch is by-passed, removed from the safety circuit and the machine will run without water pressure.

NOTE

- If the switch is left in the DRY position when the operator is applying water the machine will NOT shut down if the pressure falls below the low pressure switch setting.

Auto Reverse / Auto Stop Switch*

The auto reverse / auto stop switch controls the auto reverse and auto stop function and works in combination with the drive unit mounted auto reverse/auto stop mechanism and has two positions, Auto Reverse or Auto Stop. See Figure 25-2.

In the auto reverse position, the machine will reverse direction when the end of field stop mechanism is activated.

In the auto stop position, the machine will stop when the end of field stop mechanism is activated.

* Only available on control panels equipped with Auto Reverse/ Auto Stop.

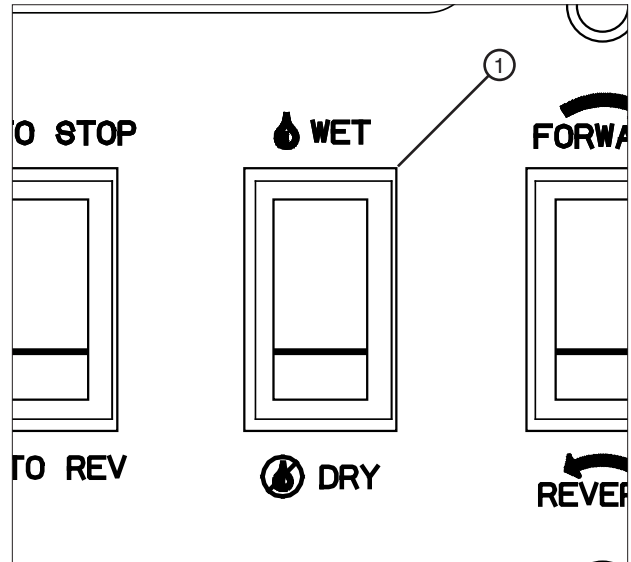


Figure 25-1 1. Wet / Dry Switch

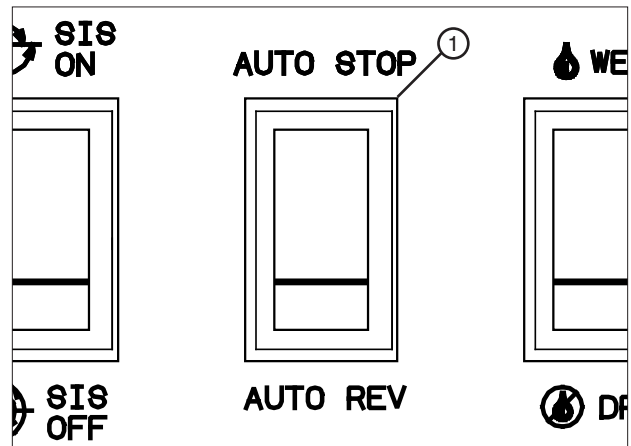


Figure 25-2 1. Auto Reverse / Auto Stop Switch

Valley Classic Control Panel

Overview

Stop-In-Slot (SIS) On / Off Switch

The Stop In Slot switch activates or by-passes the optional stop in slot mechanism and has two positions ON and OFF. See Figure 26-1.

In The ON Position, the Stop-in-slot mechanism, stops the machine at a preset location in the field (set by the operator).

In the OFF position, the Stop In Slot mechanism by-passed and the machine will NOT stop at the preset location.

To set the stop in slot stop location, refer to the End Gun Shut-Off and Stop In Slot Option section in The Valley Pivot Owners Manual.

Engine Run / Start Switch

The engine RUN/START switch activates or by-passes an optional engine shut down circuit and has two positions, engine run and engine start. See Figure 26-2.

In the RUN position, the optional engine shut down circuit is activated and the engine will shut down if the machine stops for some reason.

In the START position, the optional engine shut down circuit is by-passed and the engine will NOT shut down if the machine stops for some reason.

The switch MUST be in the START position to start the engine.

Auxiliary On / Off Switch (Option)

This optional switch is available for such uses as injector pump operation, manual end gun control or other options that may be installed. See Figure 26-2.

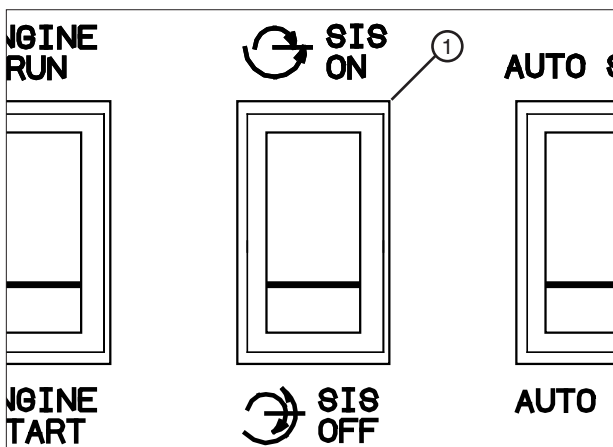


Figure 26-1 1. Stop-In-Slot ON/OFF Switch

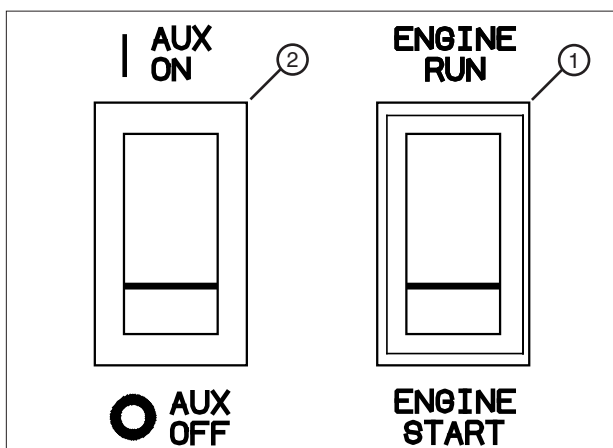


Figure 26-2 1. Engine Run / Start Switch
2. Auxiliary On / Off Switch

Valley Classic Control Panel

Overview

Volt Meter

The volt meter displays the voltage being delivered to the machine from the control panel. See Figure 27-1.

The recommended operating voltage is the nominal supply voltage. See Figure 27-2.

During normal operation the meter should read approximately the nominal supply voltage. See Figure 27-2.

NOTE

- Some long or high amperage machines may need to be run at 500 VAC, 60 hz. (400 VAC, 50 hz.) minimum.

CAUTION

- DO NOT OPERATE THE MACHINE IF THE VOLT METER READS BELOW THE MINIMUM ALLOWED VOLTAGE OR ABOVE THE MAXIMUM ALLOWED VOLTAGE. SEE FIGURE 27-2.
- OPERATING THE MACHINE OUTSIDE THESE LIMITS COULD CAUSE DAMAGE TO THE DRIVE MOTORS AND OTHER ELECTRICAL COMPONENTS.
- CORRECT THE LOW VOLTAGE PROBLEM BEFORE RESUMING OPERATION.

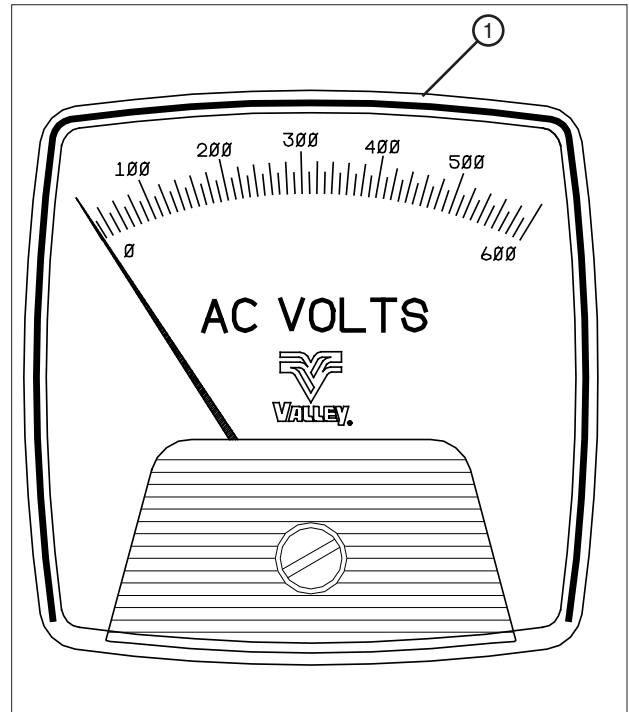


Figure 27-1 1. Volt Meter

Nominal Supply Voltage	Maximum Allowed Voltage	Minimum Allowed Voltage
480 VAC @ 60Hz	505 VAC	440 VAC
415 VAC @ 50Hz	420 VAC	375 VAC
400 VAC @ 50Hz	420 VAC	365 VAC
380 VAC @ 50Hz	420 VAC	355 VAC
230 VAC @ 60Hz	253 VAC	220 VAC
220 VAC @ 50Hz	243 VAC	210 VAC
120 VAC @ 60Hz	132 VAC	105 VAC
110 VAC @ 50Hz	121 VAC	95 VAC

Figure 27-2

Valley Classic Control Panel

Overview

Percent Timer

The percent timer regulates the revolution time of the machine and the amount of water applied. See Figure 28-1.

A percent timer setting of 100 percent indicates the end tower of the machine would move continuously, providing the shortest revolution time and applying the least amount of water.

If the percent timer is set at 50 percent, the revolution time of the machine and the water application amount is doubled.

For example, if a 60 second percent timer is set to 50 percent, the end tower of the machine would move for approximately 30 seconds out of each minute.

NOTE

- The percent timer setting is the percentage of one minute of which the end tower of the machine will run, therefore, regulating the revolution time of the machine.
- Refer to the machine's sprinkler chart to provide water application amounts at different settings.
- The Percentage Timer Setting Calculations section explains the calculation process for determining water applications at different percent timer settings.

Hour Meter

The hour meter records the number of hours, wet, dry or total that the machine has ran. See Figure 28-2.

NOTE

- The hour meter runs only when the machine is running.

Circuit Breaker

The circuit breaker protects all of the 120 VAC control circuits in the control panel and machine. See Figure 28-2.

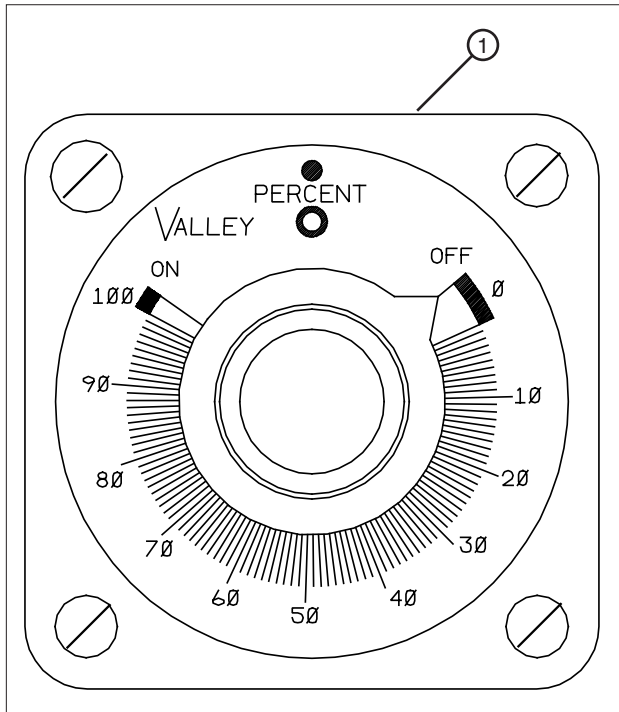


Figure 28-1 1. Percent Timer

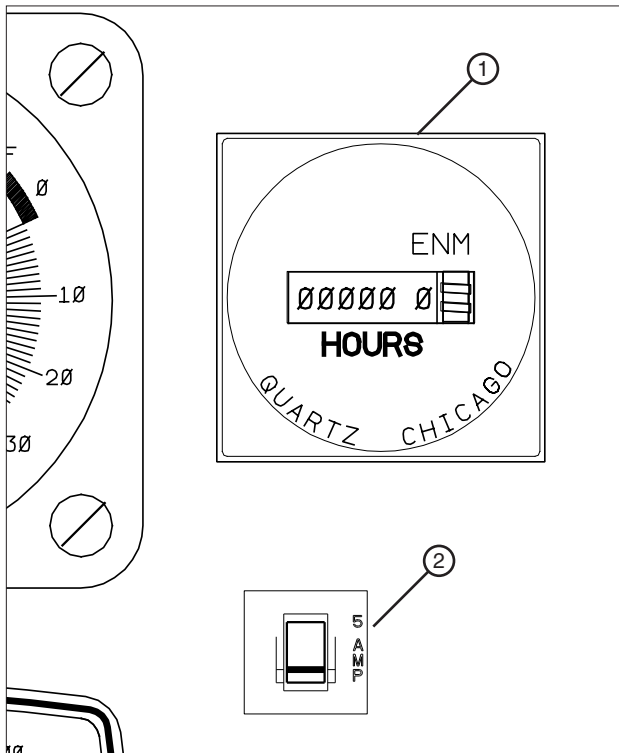


Figure 28-2 1. Hour Meter
2. Circuit Breaker

Valley Classic Control Panel

Operation

Starting The Machine Wet (With Water) Before Starting Machine

1. ALWAYS make sure that vehicles, other equipment, livestock and persons are clear of the machine before operation.
2. Place the WET/DRY switch in the DRY position to by-pass the low pressure switch. See Figure 29-1.
3. If an optional engine shut-down circuit is utilized, place the Engine RUN/START switch in the START position. See Figure 29-1.

Start The Pump and or Engine Generator

4. Partially close the mainline valve to the machine to reduce the possibility of water hammer.
5. Start the pump and/or engine generator.
6. If the pump is wired to automatically start when the control panel START/STOP switch is pressed, continue with step 7.
7. Slowly open the mainline valve or increase the engine speed to achieve the desired operating pressure.

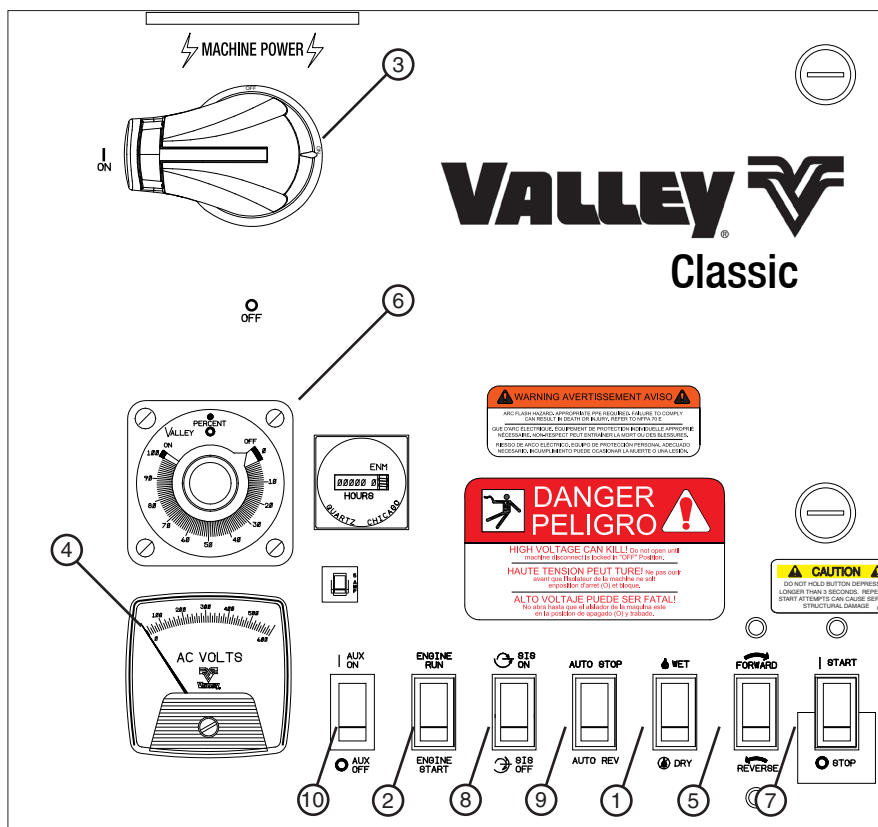


Figure 29-1

1. Wet/Dry Switch	6. Percent Timer
2. Run/Start Switch	7. Start/Stop Switch
3. Main Disconnect Switch "ON"	8. Stop In Slot Switch
4. Voltmeter	9. Auto Reverse/Auto Stop Switch
5. Forward/Reverse Switch	10. Auxiliary On/Off Switch

Start The Machine

8. Turn the control panel main disconnect switch to the ON position. See Figure 29-1.
9. If the power is supplied by an engine driven generator, adjust the RPM of the generator until the voltmeter reads 460 – 505 volts. DO NOT EXCEED 505 VOLTS. See Figure 29-1.
10. Place the WET/DRY switch in the WET position. See Figure 29-1.
11. Place the FORWARD/REVERSE switch in either the FORWARD or REVERSE position. See Figure 29-1.
12. Set the percent timer to the desired speed setting. See Figure 29-1.
13. Press and hold the START/STOP switch in the START position for 3 seconds and release. The machine should start. See Figure 29-1.
14. Place the Engine RUN/START switch in the RUN position. See Figure 29-1.
15. If the machine is equipped with the optional stop-in-slot mechanism, place the SIS ON/OFF switch in the desired position. See Figure 29-1.
16. If the machine is equipped with auto reverse/auto stop, place the AUTO REVERSE/AUTO STOP switch in the desired position. See Figure 29-1.
17. If the machine is equipped with the optional Auxiliary ON/OFF switch to control an operation or device, place the Auxiliary ON/OFF switch in the desired position. See Figure 29-1.

Valley Classic Control Panel

Operation

Starting The Machine Dry (Without Water)

Before Starting Machine

1. ALWAYS make sure that vehicles, other equipment, livestock and persons are clear of the machine before operation.
2. Place the WET/DRY switch in the DRY position to by-pass the low pressure switch. See Figure 30-1.
3. If an optional engine shutdown circuit is utilized, place the Engine RUN/START switch in the START position. See Figure 30-1.
4. If applicable start the engine generator.

Start The Machine

5. Turn the control panel main disconnect switch to the ON position. See Figure 30-1.

If the power is supplied by an engine driven generator, adjust the RPM of the generator until the voltmeter reads 460 – 505 volts. DO NOT EXCEED 505 VOLTS. See Figure 30-1.

6. Place the FORWARD/REVERSE switch in either the FORWARD or REVERSE position. See Figure 30-1.
7. Set the percent timer to the desired speed setting. See Figure 30-1.
8. Press and hold the START/STOP switch in the START position for 3 seconds and release. The machine should start. See Figure 30-1.
9. Place the Engine RUN/START switch in the RUN position. See Figure 30-1.

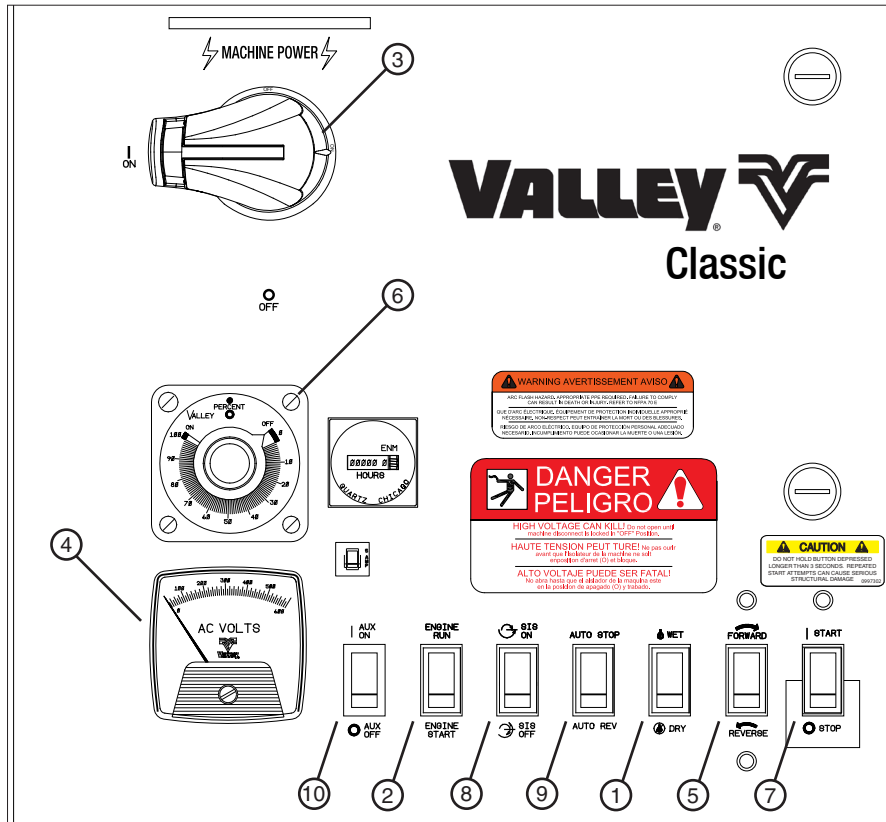


Figure 30-1

1. Wet/Dry Switch	6. Percent Timer
2. Run/Start Switch	7. Start/Stop Switch
3. Main Disconnect Switch "ON"	8. Stop In Slot Switch
4. Voltmeter	9. Auto Reverse/Auto Stop Switch
5. Forward/Reverse Switch	10. Auxiliary On/Off Switch

10. If the machine is equipped with the optional stop-in-slot mechanism, place the SIS ON/OFF switch in the desired position. See Figure 30-1.
11. If the machine is equipped with auto reverse/auto stop, place the AUTO REVERSE/AUTO STOP switch in the desired position. See Figure 30-1.
12. If the machine is equipped with the optional Auxiliary ON/OFF switch to control an operation or device, place the Auxiliary ON/OFF switch in the desired position. See Figure 30-1.

Valley Classic Control Panel

Operation

Stopping The Machine

Emergency Stopping

To stop the machine in an emergency situation, shut off any one of the following:

- Main Service Disconnect Switch from public power to the control panel. See Figure 31-1.
- Control Panel Main Disconnect Switch. See Figure 31-1.
- Any Tower Box Disconnect Switch. See Figure 31-1.

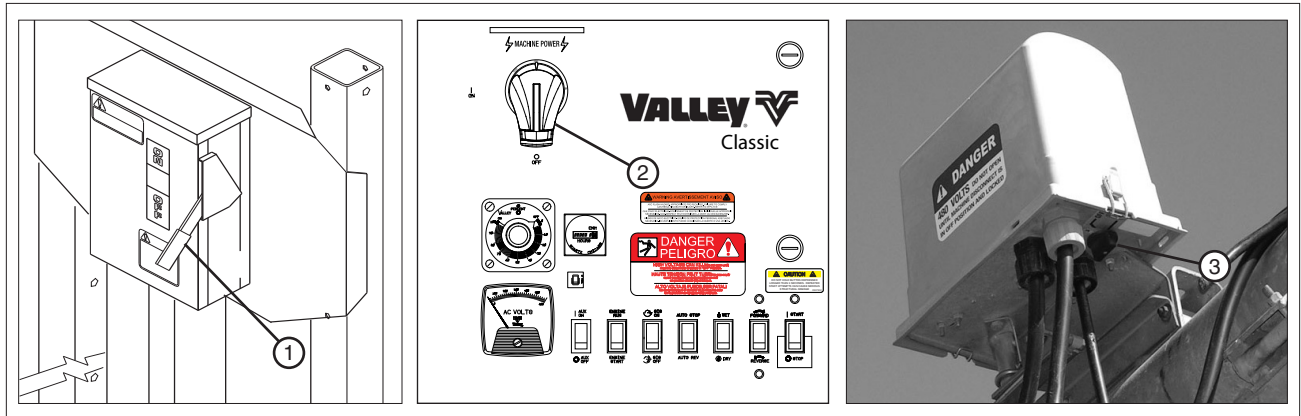


Figure 31-1 1. Main Service Disconnect Switch
2. Control Panel Main Disconnect Switch
3. Tower Box Disconnect Switch

Stopping Under Normal Conditions

1. Place the START/STOP switch in the STOP position. See Figure 31-2.
2. Turn the main disconnect switch to the OFF position. See Figure 31-2.
3. Turn the pumping unit OFF (if not automatic).
4. If an engine generator set is utilized, place the Engine Run/Start switch to the Start position for the next start-up sequence.

WARNING

• **DO NOT SHUT THE MACHINE OFF BY SLOWLY IDLING DOWN THE ENGINE GENERATOR SET. THIS PRACTICE CAUSES LOW VOLTAGE AND WILL DAMAGE MACHINE COMPONENTS.**

• **ALWAYS STOP THE IRRIGATION MACHINE PRIOR TO SHUTTING DOWN THE ENGINE-GENERATOR SET.**

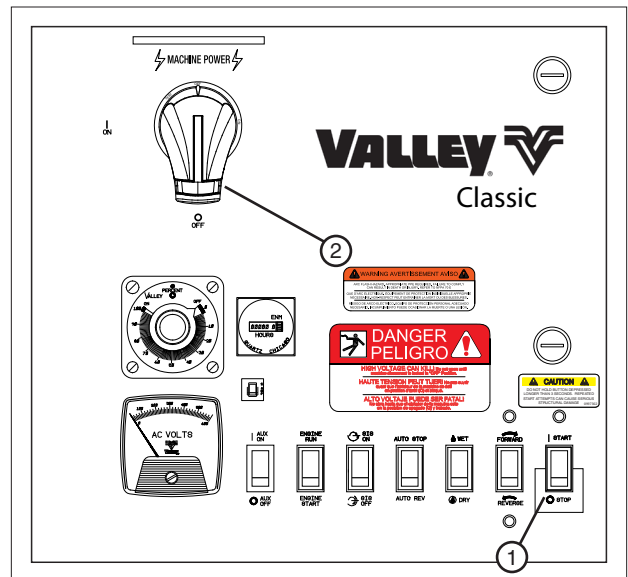


Figure 31-2 1. Start/Stop Switch
2. Main Disconnect Switch "OFF"

Valley Classic Control Panel

Operation

Percent Timer

Theory of Operation

The percent timer controls the length of time that the last regular drive unit runs. Example: if a 60 second percent timer is set to 50%, during the 60 second cycle the last regular drive unit will run for 30 seconds and then stop for 30 seconds before starting the next cycle. Percent timers are available with 30, 60 90 or 120 second cycles.

Identifying Percent Timers

There are three different percent timers.

Response to Change

Eagle Solid State Percent Timer Operation

- Machine Stopped: When a change is made to the Eagle solid state percent timer setting while the machine is stopped, the timer will finish the previous time cycle before starting the new percent timer setting when the machine is started.
- Machine Running: When a change is made to the Eagle solid state percent timer setting during operation, the change is not immediately recognized by the percent timer. First the percent timer completes the current cycle at the previous setting, then after the cycle ends the change is recognized and the percent timer begins working at the new setting. See Figure 32-1.

ATC and Macromatic Solid State Percent Timer Operation

- Machine Stopped: When a change is made to the percent timer setting while the machine is stopped, the change is recognized immediately and when the machine is started the machine runs at the new percent timer setting.
- Machine Running: When a change is made to the percent timer setting during operation, the change is recognized immediately and the timer begins working on the new setting. See Figure 32-2.

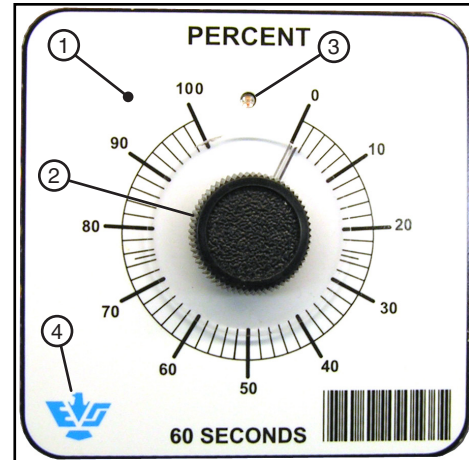


Figure 32-1 1. Eagle Solid State Percent Timer
2. Dial
3. Indicator Light
4. Manufacturers Logo

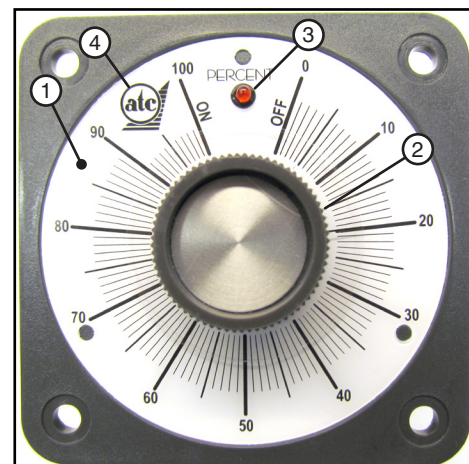


Figure 32-2 1. ATC Percent Timer Shown
2. Dial
3. Indicator Light
4. Manufacturers Logo

Valley Classic Control Panel

Operation

Testing the Percent Timer

The percent timer should be tested for proper operation at the beginning of each growing season and then every month throughout the season.

To test the percent timer do the following:

1. Set the percent timer to 20% on the dial. See Figure 33-1.
2. Start the machine.
3. Depending on the type of percent timer follow one of the directions in the table below:

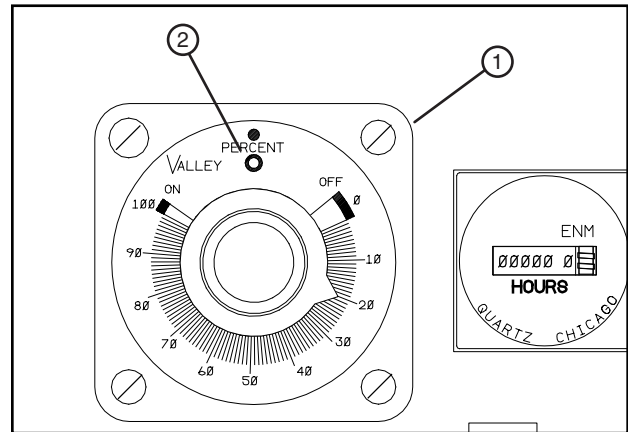


Figure 33-1 ATC Percent Timer Shown
1. Percent Timer
2. Indicator Light

Eagle Percent Timer On/Off Indication	ATC and Macromatic Percent Timer On/Off Indication
<p>The Eagle HQ4E has an indicator light that is ON solid during the timer ON cycle. It blinks twice per second during the timer OFF cycle. See Figure 33-1.</p>	<p>The ATC 304GX has an indicator light that is ON solid during the timer OFF cycle. It blinks at a variably increasing rate during the ON cycle. See Figure 33-1.</p>
<p>Watch the percent timer indicator light for several complete cycles (ON/OFF) of the timer to insure you catch a complete timer cycle.</p> <ul style="list-style-type: none"> • 60 second cycle timer, the indicator light should be ON (solid) for 12 seconds and OFF (blinking) for 48 seconds. If the indicator light is ON (solid) for more than 13 seconds or less than 11 seconds the percent timer is not operating properly and must be replaced. • 120 second cycle timer, the indicator light should be ON (solid) for 24 seconds and OFF (blinking) for 96 seconds. If the indicator light is ON (solid) for more than 26 seconds or less than 22 seconds the percent timer is not operating properly and must be replaced. • If the indicator light is ON (solid) or OFF (blinking) continuously the percent timer is not operating properly and must be replaced. 	<p>Watch the percent timer indicator light for several complete cycles (ON/OFF) of the timer to insure you catch a complete timer cycle.</p> <ul style="list-style-type: none"> • 60 second cycle timer, the indicator light should be ON (blinking) for 12 seconds and OFF (solid) for 48 seconds. If the indicator light is ON (blinking) for more than 13 seconds or less than 11 seconds the percent timer is not operating properly and must be replaced. • 120 second cycle timer, the indicator light should be ON (blinking) for 24 seconds and OFF (solid) for 96 seconds. If the indicator light is ON (blinking) for more than 26 seconds or less than 22 seconds the percent timer is not operating properly and must be replaced. • If the indicator light is ON (blinking) or OFF (solid) continuously the percent timer is not operating properly and must be replaced.

Valley Classic Control Panel

Operation

Percent Timer Setting Calculations

The percent timer regulates the system speed which controls the amount of water being applied per revolution.

A percent timer setting of 100% would indicate that the end tower moves continuously or 100% of the time.

A percent timer setting of 50% would indicate that the end tower runs 50% of the time or 30 seconds out of each minute, therefore, doubling the amount of water being applied.

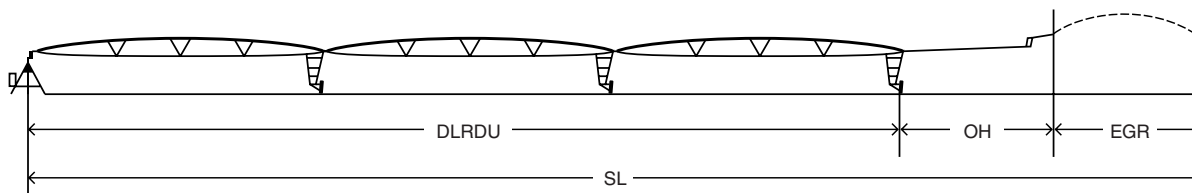
A sprinkler chart like the one illustrated in Figure 34-1 will provide the operator with the necessary information to determine water application depths and revolution times at different percent timer settings.

INCHES(MM) PER REVOLUTION	PERCENT TIMER SETTING	HOURS PER REVOLUTION
0.15 (3.8)	100	21
0.20 (5.1)	77	28
0.30 (7.6)	51	41
0.40 (10.2)	39	55
0.50 (12.7)	31	69
0.60 (15.2)	26	83
0.70 (17.8)	96	96
0.80 (20.3)	19	110
0.90 (22.9)	17	124
1.00 (25.4)	15	138
1.25 (31.8)	12	172
1.50 (38.1)	10	207
1.75 (44.5)	9	241
2.00 (50.8)	8	276
2.50 (63.5)	6	345
3.00 (76.2)	5	413
3.50 (88.9)	4	482

Figure 34-1

If the system length, flow rate in GPM (LPS) and revolution times are known, these values can be calculated as described in the following procedure.

1. Determine The System Length.



SL = Total System Length - ft (M)

DLRDU = Distance to the Last Regular Drive Unit - ft (M)

OH = Overhang Length - ft (M)

EGR = End Gun Radius - ft (M)

$$SL = DLRDU + OH + EGR$$

Example:

DLRDU = 1260 ft (384 M)

OH = 64 ft (20 M)

EGR = 100 ft (30 M)

SL = 1260 ft (384 M) + 64 ft (20 M) + 100 ft (30 M)

SL	=	1424 ft (434 M)
----	---	-----------------

Approximate End Gun Radius Coverages		
Rainbird 85	=	60 ft (18M)
Rainbird 95	=	65 ft (20M)
Nelson 100	=	100 ft (30M)
Rainbird 103	=	100 ft (30M)

Valley Classic Control Panel

Operation

Percent Setting Timer Calculations (Continued)

2. Determine the End Tower Rotational Speed at 100% Timer Setting from the following chart:

Last Regular Drive Unit *** Center Drive Output RPM	Standard Tires 11.2 x 24		Retread 11 x 24.5		High Float 14.9 x 24		Maxi-Float 16.9 x 24		11.2 x 38	
	ft/min	M/min	ft/min	M/min	ft/min	M/min	ft/min	M/min	ft/min	M/min
30	6.10	1.86	6.33	1.93	6.77	2.06	7.22	2.20	8.34	2.54
34	6.87	2.09	7.14	2.17	7.75	2.36	8.25	2.51	9.12	2.78
37	7.53	2.30	7.82	2.38	8.53	2.60	8.9	2.71	10.28	3.13
56	11.39	3.47	11.83	3.61	12.63	3.85	13.48	4.11	15.03	4.58
68	13.74	4.19	14.28	4.35	15.49	4.72	16.51	5.03	18.24	5.56

*** RPM and speed for 480 V, 60 Hz service. For 50 Hz service reduce travel by factor of 0.833.

Example: 30 RPM center drive motor with 14.9 x 24 High Float Tires = 6.77 feet Per Minute (2.06 Meters Per Minute)

3. Determine inches (millimeters) per day the machine will apply.

$$\text{Inches Per Day} = \frac{(\text{GPM}) (735.3 \text{ in})}{(\text{SL})^2}$$

Example:

$$\begin{aligned} \text{Gallons Per Minute} &= 800 \text{ GPM} \\ \text{System Length} &= 1424 \text{ ft} \\ \text{Inches. Per Day} &= \frac{(800 \text{ GPM}) (735.3 \text{ in})}{(1424 \text{ ft})^2} \end{aligned}$$

$$= 0.29 \text{ Inches Per Day}$$

$$\text{Millimeters Per Day} = \frac{(\text{LPS}) (27,488.4 \text{ mm})}{(\text{SL})^2}$$

Example:

$$\begin{aligned} \text{Liters Per Second} &= 50.47 \text{ LPS} \\ \text{System Length} &= 434 \text{ M} \\ \text{Millimeters Per Day} &= \frac{(50.47 \text{ LPS}) (27,488.4 \text{ mm})}{(434 \text{ M})^2} \end{aligned}$$

$$= 7.3 \text{ Millimeters Per Day}$$

4. Determine Hours Per Revolution at 100 Percent Timer Setting.

$$\text{Hours Per Revolution at 100\%} = \frac{(0.105) (\text{DLRDU in feet})}{(\text{Speed in ft/min})} \quad \text{Hours Per Revolution at 100\%} = \frac{(0.105) (\text{DLRDU in Meters})}{(\text{Speed in M/min.})}$$

Example:

$$\begin{aligned} \text{DLRDU} &= 1260 \text{ ft} \\ \text{Speed in Feet Per Minute} &= 6.77 \text{ ft/min} \\ \text{Hours Per Revolution at 100\%} &= \frac{(0.105) (1260 \text{ ft})}{(6.77 \text{ ft})} \end{aligned}$$

$$= 19.5 \text{ Hours Per Revolution at 100\%}$$

Example:

$$\begin{aligned} \text{DLRDU} &= 384 \text{ M} \\ \text{Speed in Meters Per Minute} &= 2.06 \text{ M/min} \\ \text{Hours Per Revolution at 100\%} &= \frac{(0.105) (384 \text{ M})}{(2.06 \text{ M/min})} \end{aligned}$$

$$= 19.5 \text{ Hours Per Revolution at 100\%}$$

5. Determine Inches (millimeters) Per Revolution at 100 Percent Timer Setting.

$$\text{Inches Per Revolution at 100\%} = \frac{(\text{Hours/Revolution}) (\text{In/Day})}{(24)} \quad \text{Millimeters Per Revolution at 100\%} = \frac{(\text{Hours/Revolution}) (\text{mm/Day})}{(24)}$$

Example:

$$\begin{aligned} \text{Hours Per Revolution} &= 19.5 \\ \text{Inches Per Day} &= 0.29 \text{ in} \\ \text{Inches Per Revolution at 100\%} &= \frac{(19.5) (0.29 \text{ in})}{(24)} \end{aligned}$$

$$= 0.24 \text{ Inches Per Revolution at 100\%}$$

Example:

$$\begin{aligned} \text{Hours Per Revolution} &= 19.5 \\ \text{Millimeters Per Day} &= 7.3 \text{ mm} \\ \text{Millimeters Per Revolution at 100\%} &= \frac{(19.5) (7.3 \text{ mm})}{(24)} \end{aligned}$$

$$= 5.9 \text{ Millimeters Per Revolution at 100\%}$$

6. Determine Inches (millimeters) Per Revolution and Hours Per Revolution for any percent timer setting:

$$\text{Inches Per Revolution} = \frac{(\text{Inches/Revolution at 100\%}) (100)}{(\text{Percent Timer Setting})} \quad \text{Millimeters Per Revolution} = \frac{(\text{mm/Revolution at 100\%}) (100)}{(\text{Percent Timer Setting})}$$

Example:

$$\begin{aligned} \text{Inches Per Revolution at 50\%} &= \frac{(0.24 \text{ in}) (100)}{(50)} \\ &= 0.48 \text{ Inches Per Revolution at 50\%} \end{aligned}$$

Example:

$$\begin{aligned} \text{Millimeters Per Rev. at 50\%} &= \frac{(5.9 \text{ mm}) (100)}{(50)} \\ &= 11.9 \text{ Millimeters Per Revolution at 50\%} \end{aligned}$$

$$\text{Hours Per Revolution} = \frac{(\text{Hours/Revolution at 100\%}) (100)}{(\text{Percent Timer Setting})} \quad \text{Hours Per Revolution} = \frac{(\text{Hours/Revolution at 100\%}) (100)}{(\text{Percent Timer Setting})}$$

Example:

$$\begin{aligned} \text{Hours Per Revolution at 50\%} &= \frac{(19.5) (100)}{(50)} \\ &= 39 \text{ Hours Per Revolution at 50\%} \end{aligned}$$

Example:

$$\begin{aligned} \text{Hours Per Revolution at 50\%} &= \frac{(19.5) (100)}{(50)} \\ &= 39 \text{ Hours Per Revolution at 50\%} \end{aligned}$$

Valley Classic Control Panel

Operation

Percent Timer Setting Calculation Worksheet

1. Determine Machine Length.

$$SL = \text{_____ feet}$$

$$SL = \text{_____ Meters}$$

2. Determine the End Tower Rotational Speed at 100% Timer Setting.

$$\text{Speed} = \text{_____ ft/min}$$

$$\text{Speed} = \text{_____ M/min}$$

3. Determine Inches (millimeters) Per Day the machine will apply.

$$\begin{aligned} \text{Inches Per} &= \frac{(\text{GPM}) (735.3)}{(\text{SL})^2} \\ \text{Day} &= \frac{(\text{_____}) (735.3)}{(\text{_____})^2} \\ &= \frac{(\text{_____})}{(\text{_____})} \\ &= \text{_____} \end{aligned}$$

$$\begin{aligned} \text{Millimeters Per} &= \frac{(\text{LPS}) (735.3)}{(\text{SL})^2} \\ \text{Day} &= \frac{(\text{_____}) (735.3)}{(\text{_____})^2} \\ &= \frac{(\text{_____})}{(\text{_____})} \\ &= \text{_____} \end{aligned}$$

4. Determine Hours Per Revolution at 100 Percent Timer Setting.

$$\begin{aligned} \text{Hours Per} &= \frac{(0.105) (\text{DLRDU in ft})}{(\text{Speed in ft/min})} \\ \text{Revolution} &= \frac{(0.105) (\text{_____})}{(\text{_____})} \\ \text{at 100\%} &= \frac{(\text{_____})}{(\text{_____})} \\ &= \text{_____} \end{aligned}$$

$$\begin{aligned} \text{Hours Per} &= \frac{(0.105) (\text{DLRDU in M})}{(\text{Speed in M/min})} \\ \text{Revolution} &= \frac{(0.105) (\text{_____})}{(\text{_____})} \\ \text{at 100\%} &= \frac{(\text{_____})}{(\text{_____})} \\ &= \text{_____} \end{aligned}$$

5. Determine Inches (millimeters) Per Revolution at 100 Percent Timer Setting.

$$\begin{aligned} \text{Inches per} &= \frac{(\text{Hours/Revolution}) (\text{In/Day})}{24} \\ \text{Revolution} &= \frac{(\text{_____}) (\text{_____})}{24} \\ \text{at 100\%} &= \frac{(\text{_____})}{24} \\ &= \text{_____} \end{aligned}$$

$$\begin{aligned} \text{Millimeters per} &= \frac{(\text{Hours/Revolution}) (\text{mm/Day})}{24} \\ \text{Revolution} &= \frac{(\text{_____}) (\text{_____})}{24} \\ \text{at 100\%} &= \frac{(\text{_____})}{24} \\ &= \text{_____} \end{aligned}$$

Valley Classic Control Panel

Operation

Percent Timer Setting Calculation Worksheet (Continued)

6. Determine Inches (millimeters) Per Revolution and Hours Per Revolution for any percent timer setting using these two formulas:

Inches (millimeters) Per Revolution =

$$\frac{(\text{Inches(mm)/Revolution at 100%}) (100)}{(\text{Percent Timer Setting})}$$

$$= \frac{(\quad) (100)}{(\quad)}$$

$$= \frac{(\quad)}{(\quad)}$$

$$= \underline{\hspace{2cm}}$$

$$100\% = (\quad) \text{ Inches(millimeters)/Per Revolution}$$

$$90\% = (\quad) \div (0.90) = \quad \text{ In (mm)/Rev.}$$

$$80\% = (\quad) \div (0.80) = \quad \text{ In (mm)/Rev.}$$

$$70\% = (\quad) \div (0.70) = \quad \text{ In (mm)/Rev.}$$

$$60\% = (\quad) \div (0.60) = \quad \text{ In (mm)/Rev.}$$

$$50\% = (\quad) \div (0.50) = \quad \text{ In (mm)/Rev.}$$

$$40\% = (\quad) \div (0.40) = \quad \text{ In (mm)/Rev.}$$

$$30\% = (\quad) \div (0.30) = \quad \text{ In (mm)/Rev.}$$

$$25\% = (\quad) \div (0.25) = \quad \text{ In (mm)/Rev.}$$

$$20\% = (\quad) \div (0.20) = \quad \text{ In (mm)/Rev.}$$

$$15\% = (\quad) \div (0.15) = \quad \text{ In (mm)/Rev.}$$

$$10\% = (\quad) \div (0.10) = \quad \text{ In (mm)/Rev.}$$

$$5\% = (\quad) \div (0.05) = \quad \text{ In (mm)/Rev.}$$

Hours Per Revolution =

$$\frac{(\text{Hours/Revolution at 100%}) (100)}{(\text{Percent Timer Setting})}$$

$$= \frac{(\quad) (100)}{(\quad)}$$

$$= \frac{(\quad)}{(\quad)}$$

$$= \underline{\hspace{2cm}}$$

$$100\% = (\quad) \text{ Hours Per Revolution}$$

$$90\% = (\quad) \div (0.90) = \quad \text{ Hrs./Rev.}$$

$$80\% = (\quad) \div (0.80) = \quad \text{ Hrs./Rev.}$$

$$70\% = (\quad) \div (0.70) = \quad \text{ Hrs./Rev.}$$

$$60\% = (\quad) \div (0.60) = \quad \text{ Hrs./Rev.}$$

$$50\% = (\quad) \div (0.50) = \quad \text{ Hrs./Rev.}$$

$$40\% = (\quad) \div (0.40) = \quad \text{ Hrs./Rev.}$$

$$30\% = (\quad) \div (0.30) = \quad \text{ Hrs./Rev.}$$

$$25\% = (\quad) \div (0.25) = \quad \text{ Hrs./Rev.}$$

$$20\% = (\quad) \div (0.20) = \quad \text{ Hrs./Rev.}$$

$$15\% = (\quad) \div (0.15) = \quad \text{ Hrs./Rev.}$$

$$10\% = (\quad) \div (0.10) = \quad \text{ Hrs./Rev.}$$

$$5\% = (\quad) \div (0.05) = \quad \text{ Hrs./Rev.}$$

Valley Classic Control Panel

Valley Classic Control Panel

Appendix

Tire Pressure

Proper tire pressure is important! Operating with low tire pressure will damage the tires and drive train. Check tire pressure at least three times a year; at spring start-up, during the irrigation season, and when performing fall winterization. Valmont recommends you check tire pressures monthly during the irrigation season. Refer to the decal on the rim for the proper tire pressure. See Figure 39-1 for recommended tire pressures.

Replacing Tires

When replacing tires on your system, be sure the ply rating of the new tire is equal to or higher than the ply rating of the old tire. The 11.2-24 four ply Titan tires are specially constructed with a 6-ply bead, and must be replaced with the same Valmont part number (0991257) or with a 6-ply tire.



WARNING

- TIRES ARE SHIPPED AT A PRESSURE OF 30-35 PSI. BE SURE THE TIRES HAVE BEEN DEFLATED TO THE CORRECT PRESSURE (SHOWN ON THE DECAL) BEFORE THE TIRE IS USED.

Recommended Tire Pressures

Tire Size(Inches)	Pounds Per Square Inch (PSI)	Kilo pascals (kPa)
11.2-24 New	34	234
11.2-38 New	22	152
14.9-24 New	18	124
14.9-24 New (Turf)	18*	124
16.9-24 New	18*	124
16.9-24 New (Turf)	18*	124
11R24.5 Retread	30	207
9-20 Retread	30	207
12.5-22.5 Retread	30	207
11R22.5 Retread	30	207
10R22.5 Retread	30	207

Figure 39-1 * Tire pressure may be reduced to 16 psi (110 kPa) for increased flotation.