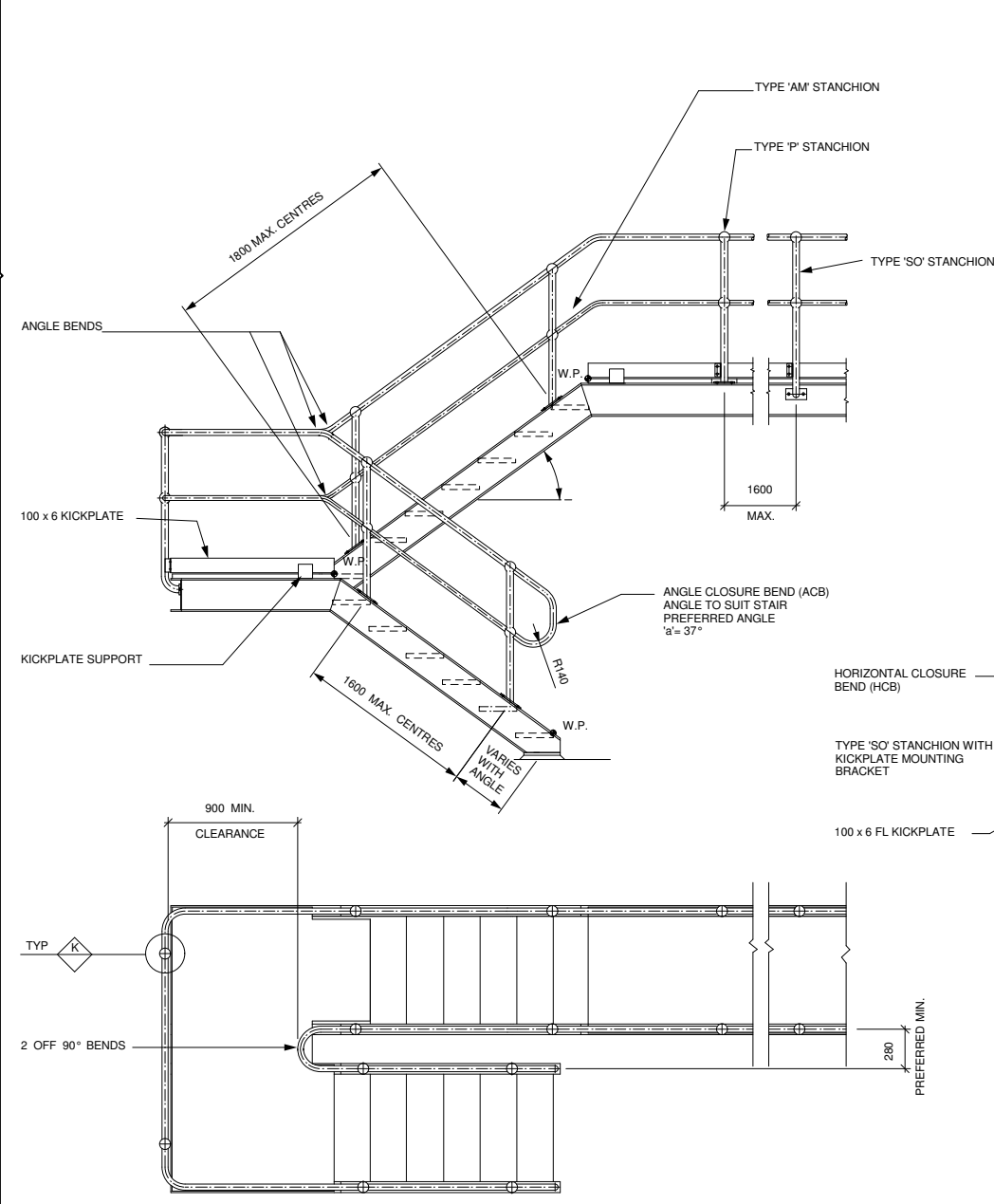
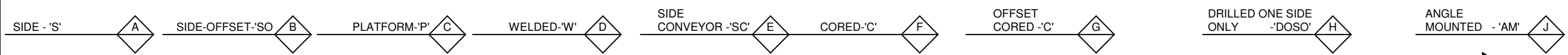
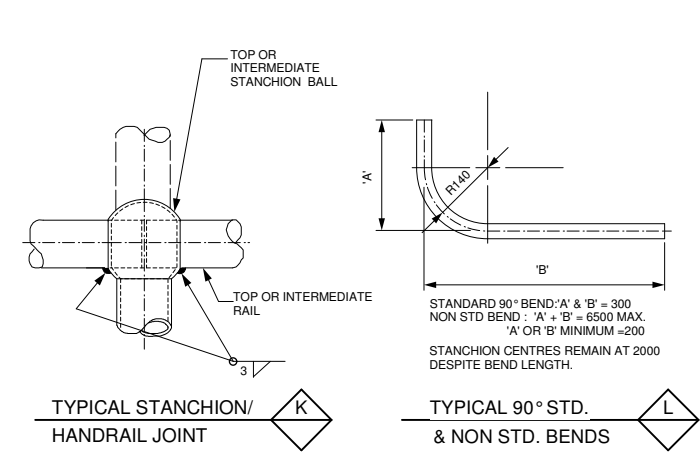


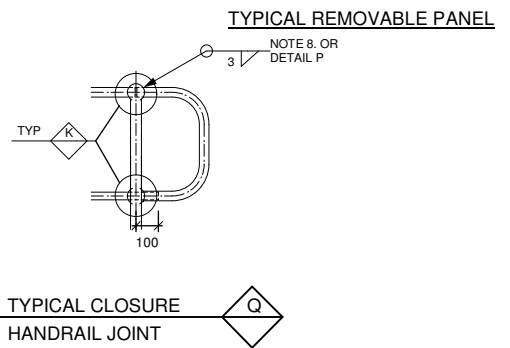
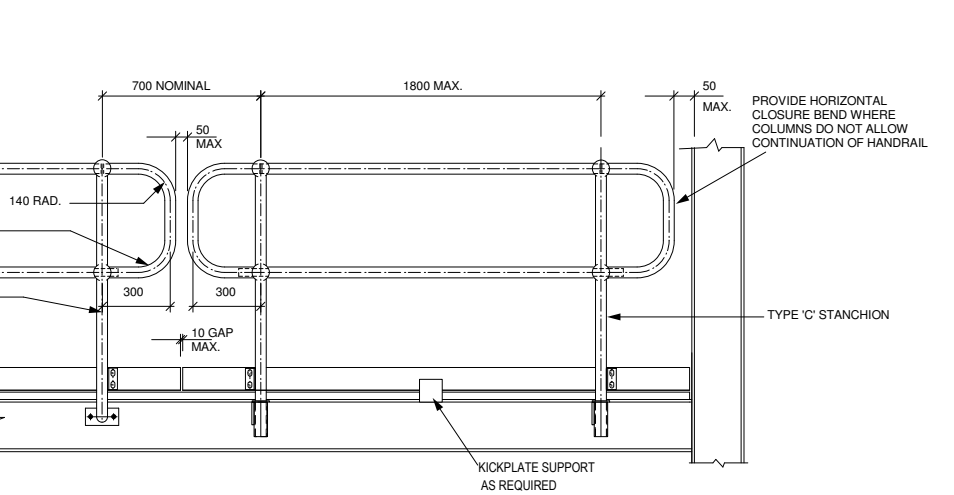
- NOTES**
- THIS DRAWING TO BE READ IN CONJUNCTION WITH GENERAL STRUCTURAL NOTES DRAWING.
  - THE DETAILS SHOWN ON THIS DRAWING ARE BASED ON REQUIREMENTS OUTLINED IN A.S. 1657 (S.A.A. CODE FOR FIXED PLATFORMS, WALKWAYS, STAIRWAYS AND LADDERS) AND ARE MINIMUM ACCEPTABLE.
  - THE TYPE AND EXTENT OF HANDRAILS IS SHOWN ON THE DESIGN DRAWINGS.
  - CONTACT SURFACES OF HANDRAILS SHALL BE SMOOTH AND FREE FROM BURRS AND SHARP CORNERS.
  - ALL HANDRAILS ON THIS DRAWING ARE MONOWILLS HANDRAILING.
  - 
  - TYPE 'P' STANCHIONS ARE NOT RECOMMENDED WHERE CUT-OUTS IN THE FLOORING ARE REQUIRED FOR STANCHION INSTALLATION.
  - IF BENT PIPE IS NOT CONTINUOUS THROUGH STANCHION BALL, USE SPLICE (DETAIL P) OR FULLY WELD PIPE TO STANCHION.



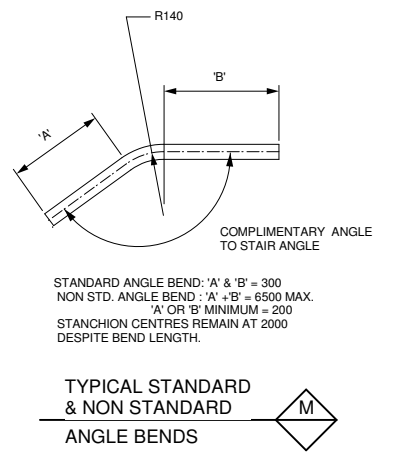
TYPICAL STAIR & PLATFORM HANDRAIL DETAILS



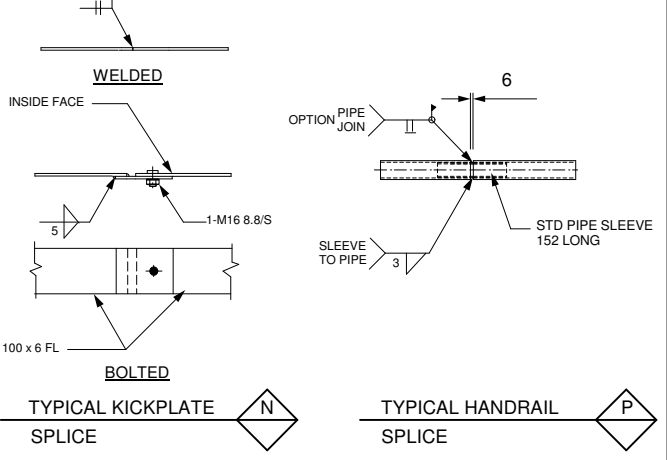
TYPICAL STANCHION/HANDRAIL JOINT (K)  
TYPICAL 90° STD. & NON STD. BENDS (L)



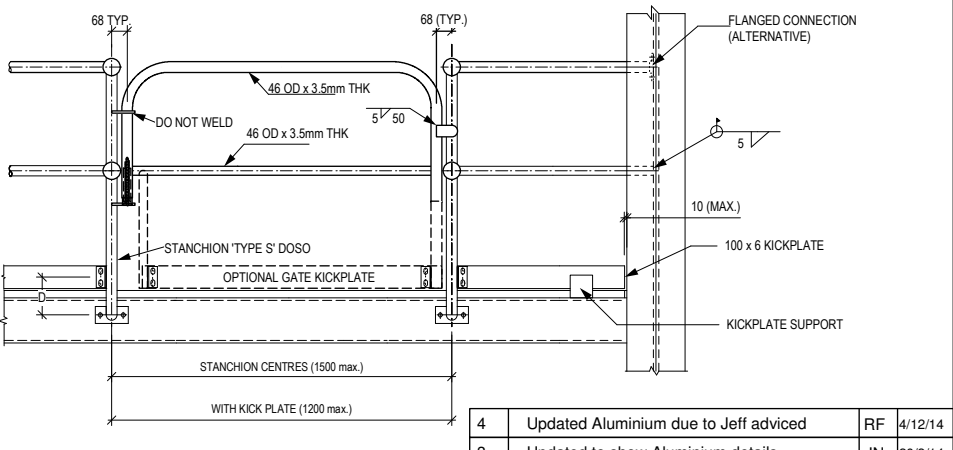
TYPICAL CLOSURE HANDRAIL JOINT (Q)



TYPICAL STANDARD & NON STANDARD ANGLE BENDS (M)



TYPICAL KICKPLATE SPLICE (N)  
TYPICAL HANDRAIL SPLICE (P)



ELEVATION - SELF CLOSING GATE

REV	PARTICULARS	BY	DATE
4	Updated Aluminium due to Jeff advised	RF	4/12/14
3	Updated to show Aluminium details	JN	20/3/14
2	Updated due to Jeff advised	DS	20/12/11
1	RENAMED, O DETAIL, NOTE 8 & KP BRACKET DETAIL REVISED	MR	01/08/07
0	RE-NUMBERED FROM STD-018r3	TW	19/5/05

**WEBFORGE (WA)**  
 24 TENNANT STREET, WELLSPOOL  
 WESTERN AUSTRALIA  
 A.C.N. 009 419 756  
 Phone (08) 9361 8933 Fax (08) 9361 7057

CLIENT:			
JOB: STANDARD HANDRAIL DETAILS			
DETAIL: ALUMINIUM STANCHION WELDING			
WEBFORGE QRD TYPE	SURFACE TREATMENT	REQ'N No.	STD - 101/0
DRAWN TAW	CHK	CUST. QN.	DRAWING No. STD - 101AS
DATE 11/94	JOB No.		REV. 4

FOR GENERAL RELEASE